

## Item description/product images



## Description

**Product description:**

Cylindrical grips are supplied assembled and can be screwed onto handwheels, crank handles, etc.

The grooves and conical shape ensure that the cylindrical grips have optimised haptics and good grip.

The fold-down grip prevents protruding edges, which also minimises the risk of injury.

**Material:**

Grip thermoplastic.

Centre pin steel grade 5.8 or stainless steel 1.4404.

Dowel spring steel or stainless steel 1.4310.

Spring spring steel or stainless steel 1.4568.

**Version:**

Grip, black.

Steel parts, black oxidised.

Stainless steel bright.

**Note:**

The hole D3 is used for positioning.

**Advantages:**

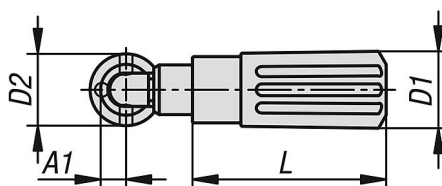
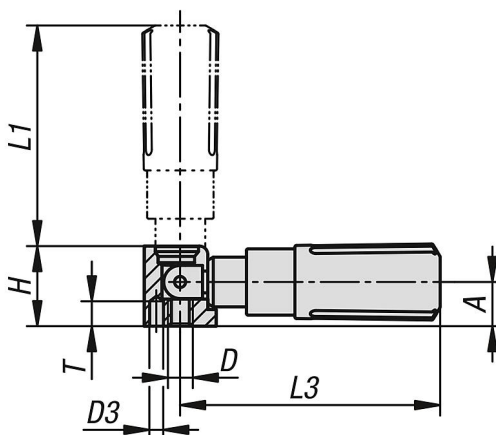
Optimised haptics and good grip

Protruding edges prevented

Grips for handwheels and cranks

Various thread sizes

## Drawings



## Overview of items

Order No.	Component material	Size	A	A1	D	D1	D2	D3	H	L	L1	L3	T
06326-01-104	steel	1	8	4,3	M4	14	13	2,5	14,5	35	40	47	4,5
06326-01-205	steel	2	10	5,3	M5	16	16	3,5	18	44	49	58	4,5
06326-01-306	steel	3	12,5	6,5	M6	20	20	4,5	22,5	55	59,5	71,5	6
06326-01-408	steel	4	16	9	M8	25	26	5,5	29	70	83	98	6,5
06326-01-1104	stainless steel	1	8	4,3	M4	14	13	2,5	14,5	35	40	47	4,5
06326-01-1205	stainless steel	2	10	5,3	M5	16	16	3,5	18	44	49	58	4,5
06326-01-1306	stainless steel	3	12,5	6,5	M6	20	20	4,5	22,5	55	59,5	71,5	6
06326-01-1408	stainless steel	4	16	9	M8	25	26	5,5	29	70	83	98	6,5