

Item description/product images

Description**Material:**

Ball, aluminium.

Magnet, neodymium.

Body, steel.

Holding ring, steel lined with leather.

Version:

Anodised.

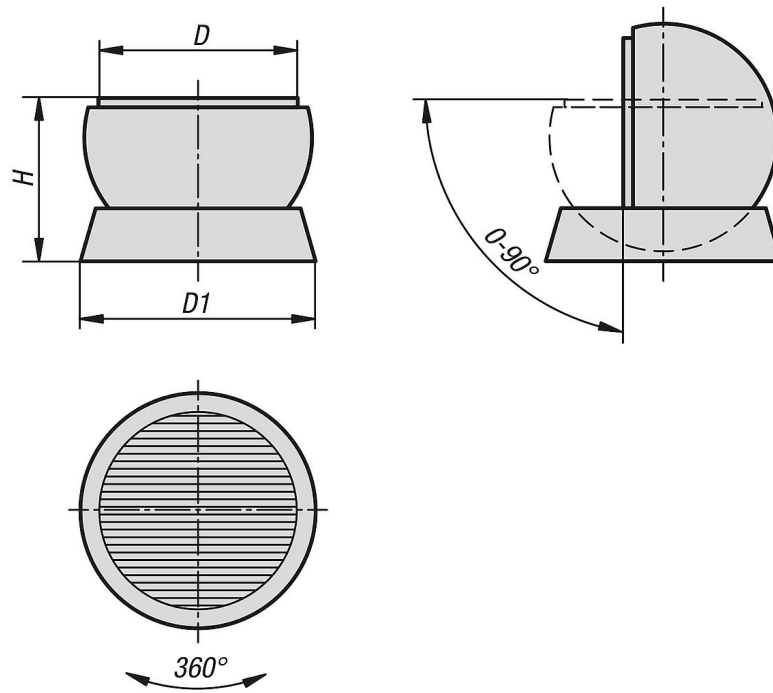
Holding ring chemically nickel-plated.

Note:

The magnetic clamping balls are used to gently hold components in the optimum working position during e.g. polishing, assembling and laser welding. Swivel angles of up to 90° can be set, depending on the workpiece geometry and weight. The magnetic ball can be turned on and off using the T-grip hex key provided.



Drawings



Overview of items

Order No.	D	D1	H	Magnetic force N	Pole pitch
09230-0801	80	128	104	80	1.5+0.5
09230-1001	100	158	129	100	1.5+0.5
09230-1301	130	188	145	100	1.5+0.5
09230-1601	160	218	164	100	1.5+0.5