

Item description/product images



Description

Material:

Black thermoset PF 31.

Centre pin and tapped bush electro zinc-plated steel or bright stainless steel.

Version:

High-gloss polished.

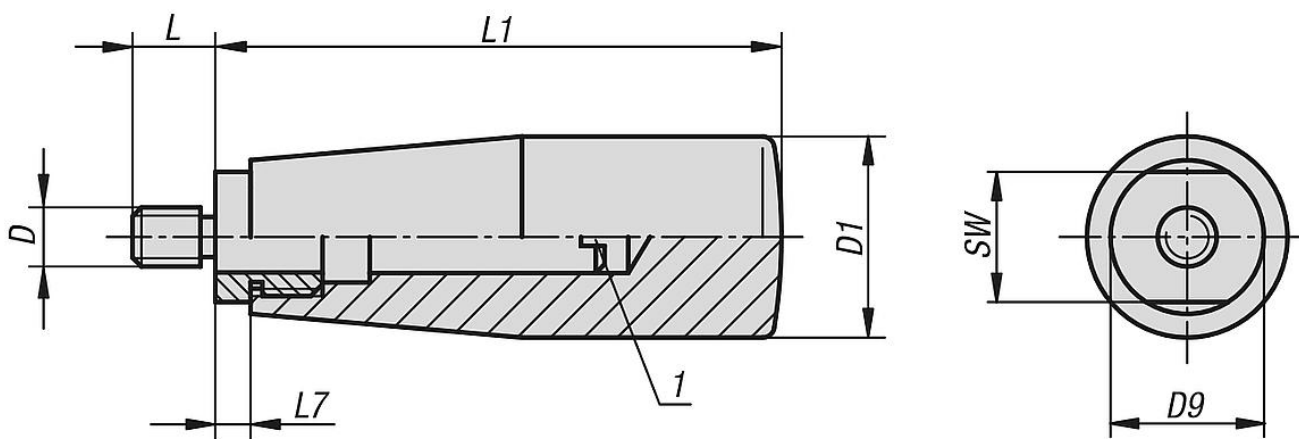
Note:

To mount unscrew the axle.

Drawing reference:

1) mounting aid

Drawings



Overview of items

Order No. steel	Order No. stainless steel	D	D1	D9	L	L1	L7	SW
06316-105007	06316-1105007	M5	17	15	7	51	5	13
06316-206008	06316-1206008	M6	23	18	8	68	6	16
06316-208009	06316-1208009	M8	23	18	9	68	6	16
06316-310011	06316-1310011	M10	28	21	11	77	7	19