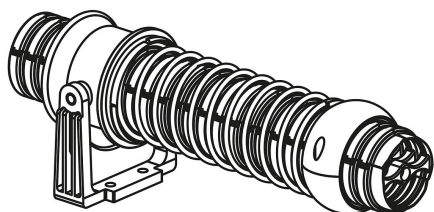


## Item description/product images

**Description**

**Material:**  
Polyamide PA6.

**Version:**  
black.

**Note:**  
Swivel arms with spring stop to hold a return spring.

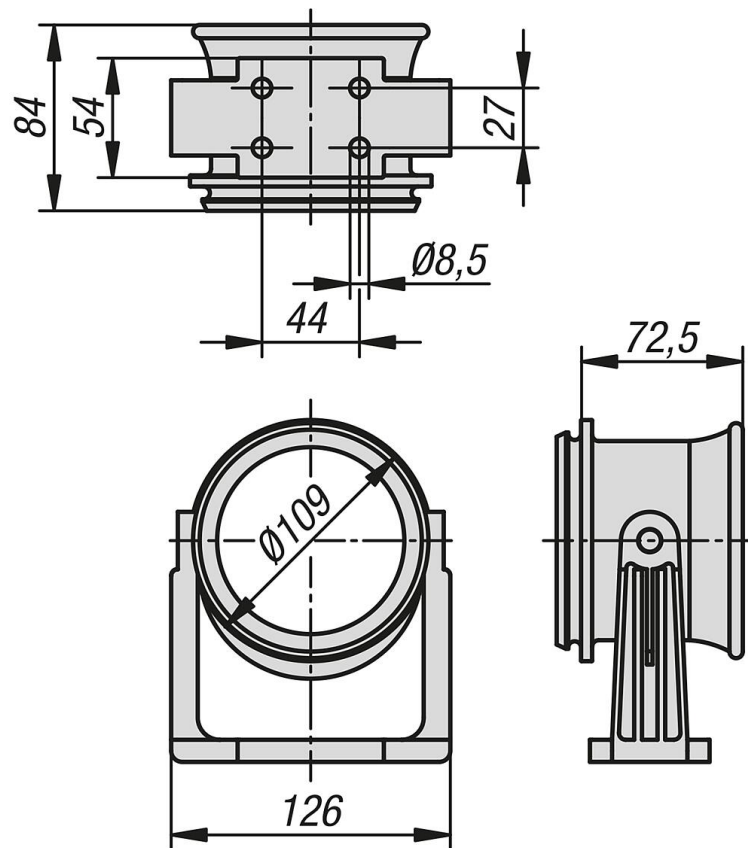
A complete spring return system is created for energy chains when used in combination with a return spring and a protector. The protector serves as a fixed point for the spring.

A spring return system helps guide the energy chain on the robot. They enable length compensation for the required energy chain on the manipulator and prevent disruptive hanging loops (loop formation). The aim is to guide the hose bundle as close as possible to the robot. This relieves the energy chain and reduces wear.

**Temperature range:**  
-45 °C to +105 °C (briefly up to +150 °C).

**Accessory:**  
Protectors 80855-15.  
Return springs 80855-45.

## Drawings



## Overview of items

Order No.	Nominal size
80855-41-0701	70