

## Item description/product images



## Description

### Product description:

Indexing plungers are used where it is necessary to prevent changes of position due to lateral forces.

Some examples of this are for length, height and position indexing in machines, equipment, furniture and special vehicle construction.

Pneumatic indexing plungers are operated by compressed air. This facilitates automatic retraction or extension of the indexing pin.

In addition, the indexing point can be located in an area inaccessible for manual operation.

By the version with status sensor, the actuation status can be detected and evaluated electronically.

For this purpose, the magnetic field sensor is clamped in the slot profile of the sensor holder. The status sensor and sensor holder can be moved axially and secured to suit the desired sensing position.

### Material:

Threaded sleeve stainless steel 1.4305.

Indexing pin stainless steel 1.4034.

Piston seal and O-rings NBR.

Rod seal TPU.

Magnet NdFeB.

Locknut stainless steel A2-70.

Magnetic field sensor thermoplastic PA12.

Sensor holder POM, slot profile aluminium.

### Version:

Indexing pin hardened, ground and bright.

### Type of operation:

Form A and B: single-acting with spring return

Form C: double-acting

### Technical data:

Pneumatic properties:

Operating pressure: 4-6 bar

filtered, dried air, lubricated or unlubricated

Magnetic field sensor:

Output relay: PNP normally open (NO)

Operating voltage: 10 - 30 V DC

Operating current: 200 mA

Switch field strength: 2 kA/m

Switching frequency: 3000 Hz

Short-circuit proof: yes

Reverse polarity protected: no

Rating: IP67

Connection type: 2 m PUR cable

Temperature range: -25 °C - +85 °C

Approvals: CE, c-UL-us, UKCA, WEEE

### Application:

Item description/product images

In automated production plants and fixtures.

**Temperature range:**

-30 °C to +80 °C

**Accessory:**

Magnetic field sensor 83001.

Sensor holder with T-slot 83010.

**Drawing reference:**

Form A: single-acting, pneumatic extension

Form B: single-acting, pneumatic retraction

Form C: double-acting

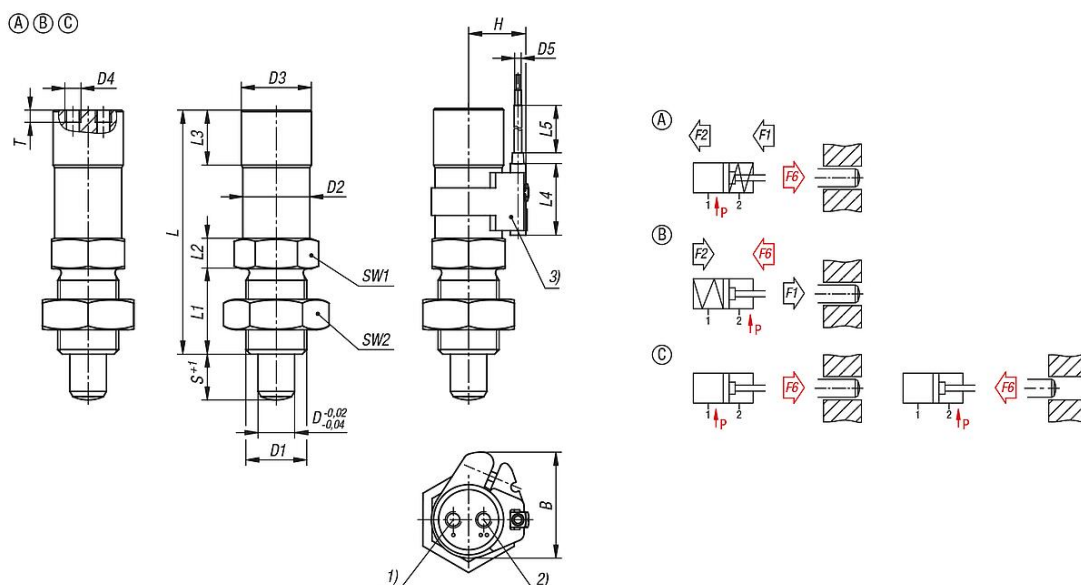
1) Port 1 - pneumatic extension

2) Port 2 - pneumatic retraction

3) With status sensor

P: operating pressure

Drawings



Overview of items

**Indexing plungers, stainless steel, pneumatic**

Order No.	Form	Form definition	Version 2	B	D	D1	D2	D3	D4	D5
03095-01-120610	A	single-acting, pneumatic extension	-	-	6	M12x1,5	22	23	M5	-
03095-01-130815	A	single-acting, pneumatic extension	-	-	8	M16x1,5	22	23	M5	-
03095-01-141015	A	single-acting, pneumatic extension	-	-	10	M20x1,5	22	23	M5	-
03095-01-141215	A	single-acting, pneumatic extension	-	-	12	M20x1,5	22	23	M5	-
03095-01-1206101	A	single-acting, pneumatic extension	with status sensor	35	6	M12x1,5	22	23	M5	2,5
03095-01-1308151	A	single-acting, pneumatic extension	with status sensor	35	8	M16x1,5	22	23	M5	2,5
03095-01-1410151	A	single-acting, pneumatic extension	with status sensor	35	10	M20x1,5	22	23	M5	2,5
03095-01-1412151	A	single-acting, pneumatic extension	with status sensor	35	12	M20x1,5	22	23	M5	2,5
03095-01-220610	B	single-acting, pneumatic retraction	-	-	6	M12x1,5	22	23	M5	-
03095-01-230815	B	single-acting, pneumatic retraction	-	-	8	M16x1,5	22	23	M5	-
03095-01-241015	B	single-acting, pneumatic retraction	-	-	10	M20x1,5	22	23	M5	-
03095-01-241215	B	single-acting, pneumatic retraction	-	-	12	M20x1,5	22	23	M5	-
03095-01-2206101	B	single-acting, pneumatic retraction	with status sensor	35	6	M12x1,5	22	23	M5	2,5

## Overview of items

Order No.	Form	Form definition	Version 2	B	D	D1	D2	D3	D4	D5
03095-01-2308151	B	single-acting, pneumatic retraction	with status sensor	35	8	M16x1,5	22	23	M5	2,5
03095-01-2410151	B	single-acting, pneumatic retraction	with status sensor	35	10	M20x1,5	22	23	M5	2,5
03095-01-2412151	B	single-acting, pneumatic retraction	with status sensor	35	12	M20x1,5	22	23	M5	2,5
03095-01-320610	C	double-acting	-	-	6	M12x1,5	22	23	M5	-
03095-01-330815	C	double-acting	-	-	8	M16x1,5	22	23	M5	-
03095-01-341015	C	double-acting	-	-	10	M20x1,5	22	23	M5	-
03095-01-341215	C	double-acting	-	-	12	M20x1,5	22	23	M5	-
03095-01-3206101	C	double-acting	with status sensor	35	6	M12x1,5	22	23	M5	2,5
03095-01-3308151	C	double-acting	with status sensor	35	8	M16x1,5	22	23	M5	2,5
03095-01-3410151	C	double-acting	with status sensor	35	10	M20x1,5	22	23	M5	2,5
03095-01-3412151	C	double-acting	with status sensor	35	12	M20x1,5	22	23	M5	2,5

Order No.	Form	H	Travel S	L	L1	L2	L3	L4	L5	SW1	SW2	T
03095-01-120610	A	-	10	77	20	10	18	-	-	24	19	4
03095-01-130815	A	-	15	80	26	10	18	-	-	24	24	4
03095-01-141015	A	-	15	80	28	10	18	-	-	24	30	4
03095-01-141215	A	-	15	80	28	10	18	-	-	24	30	4
03095-01-1206101	A	19	10	77	20	10	18	23,5	2000	24	19	4
03095-01-1308151	A	19	15	80	26	10	18	23,5	2000	24	24	4
03095-01-1410151	A	19	15	80	28	10	18	23,5	2000	24	30	4
03095-01-1412151	A	19	15	80	28	10	18	23,5	2000	24	30	4
03095-01-220610	B	-	10	77	20	10	18	-	-	24	19	4
03095-01-230815	B	-	15	80	26	10	18	-	-	24	24	4
03095-01-241015	B	-	15	80	28	10	18	-	-	24	30	4
03095-01-241215	B	-	15	80	28	10	18	-	-	24	30	4
03095-01-2206101	B	19	10	77	20	10	18	23,5	2000	24	19	4
03095-01-2308151	B	19	15	80	26	10	18	23,5	2000	24	24	4
03095-01-2410151	B	19	15	80	28	10	18	23,5	2000	24	30	4
03095-01-2412151	B	19	15	80	28	10	18	23,5	2000	24	30	4
03095-01-320610	C	-	10	77	20	10	18	-	-	24	19	4
03095-01-330815	C	-	15	80	26	10	18	-	-	24	24	4
03095-01-341015	C	-	15	80	28	10	18	-	-	24	30	4
03095-01-341215	C	-	15	80	28	10	18	-	-	24	30	4
03095-01-3206101	C	19	10	77	20	10	18	23,5	2000	24	19	4
03095-01-3308151	C	19	15	80	26	10	18	23,5	2000	24	24	4
03095-01-3410151	C	19	15	80	28	10	18	23,5	2000	24	30	4
03095-01-3412151	C	19	15	80	28	10	18	23,5	2000	24	30	4

## Piston and spring force

Order No.	Form	P=Operating pressure bar	F6=Piston force at 6 bar (N)	F6=Retraction force at 6 bar (N)	F1=spring force extended (N)	F2=spring force retracted (N)
03095-01-120610	A	4-6	83	-	30	11
03095-01-130815	A	4-6	83	-	30	11
03095-01-141015	A	4-6	83	-	30	11
03095-01-141215	A	4-6	83	-	30	11
03095-01-1206101	A	4-6	83	-	30	11
03095-01-1308151	A	4-6	83	-	30	11
03095-01-1410151	A	4-6	83	-	30	11
03095-01-1412151	A	4-6	83	-	30	11
03095-01-220610	B	4-6	-	66	11	30
03095-01-230815	B	4-6	-	66	11	30
03095-01-241015	B	4-6	-	66	11	30
03095-01-241215	B	4-6	-	66	11	30
03095-01-2206101	B	4-6	-	66	11	30
03095-01-2308151	B	4-6	-	66	11	30
03095-01-2410151	B	4-6	-	66	11	30
03095-01-2412151	B	4-6	-	66	11	30
03095-01-320610	C	4-6	113	96	-	-
03095-01-330815	C	4-6	113	96	-	-
03095-01-341015	C	4-6	113	96	-	-
03095-01-341215	C	4-6	113	96	-	-

## Overview of items

Order No.	Form	P=Operating pressure bar	F6=Piston force at 6 bar (N)	F6=Retraction force at 6 bar (N)	F1=spring force extended (N)	F2=spring force retracted (N)
03095-01-3206101	C	4-6	113	96	-	-
03095-01-3308151	C	4-6	113	96	-	-
03095-01-3410151	C	4-6	113	96	-	-
03095-01-3412151	C	4-6	113	96	-	-