

Item description/product images



Description

Material:

Grip 1.4301 stainless steel.
Housing and nut 1.4305 stainless steel.

Version:

Bright.

Note:

Quarter-turn lock with L-grip. For right or left mounting with 90° closing. The quarter-turn lock can be installed pre-assembled. Supplied with standard stainless-steel nut. Rating IP65.

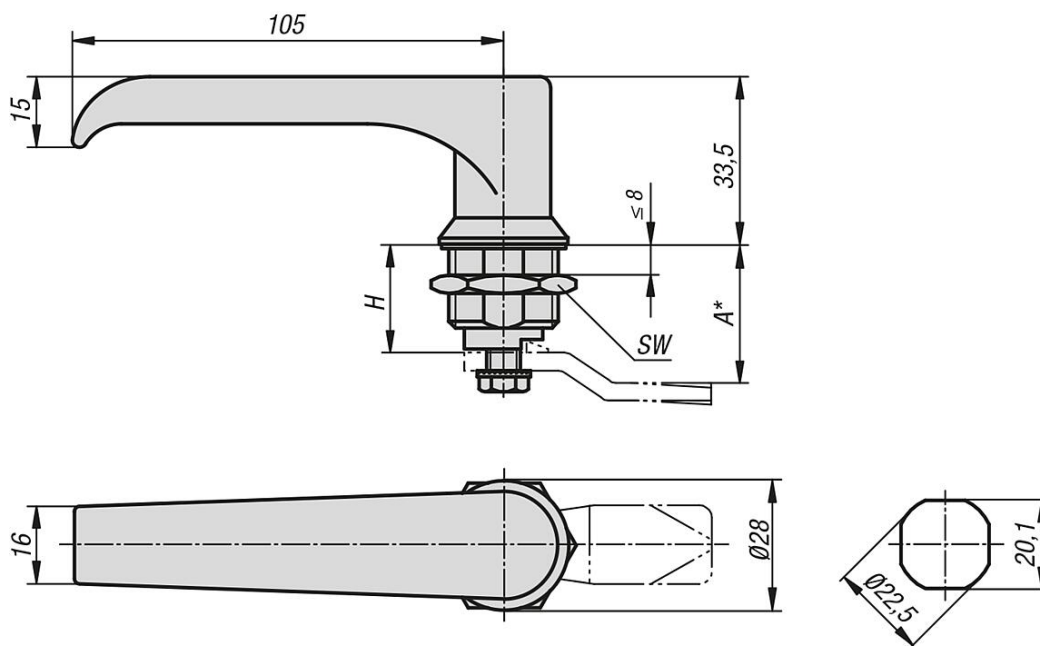
Please order required tongue version separately. Every tongue can be combined with this housing.

*Dimension A results from the combination of the quarter turn lock and the tongue and is specified with the matching tongues.

Accessory:

Tongue for stainless steel quarter-turn lock 05569.

Drawings



Overview of items

Quarter-turn lock, stainless steel with L-grip

Order No.	Actuation	H	SW
05594-1186	L-grip	18	27

