

Item description/product images



Description

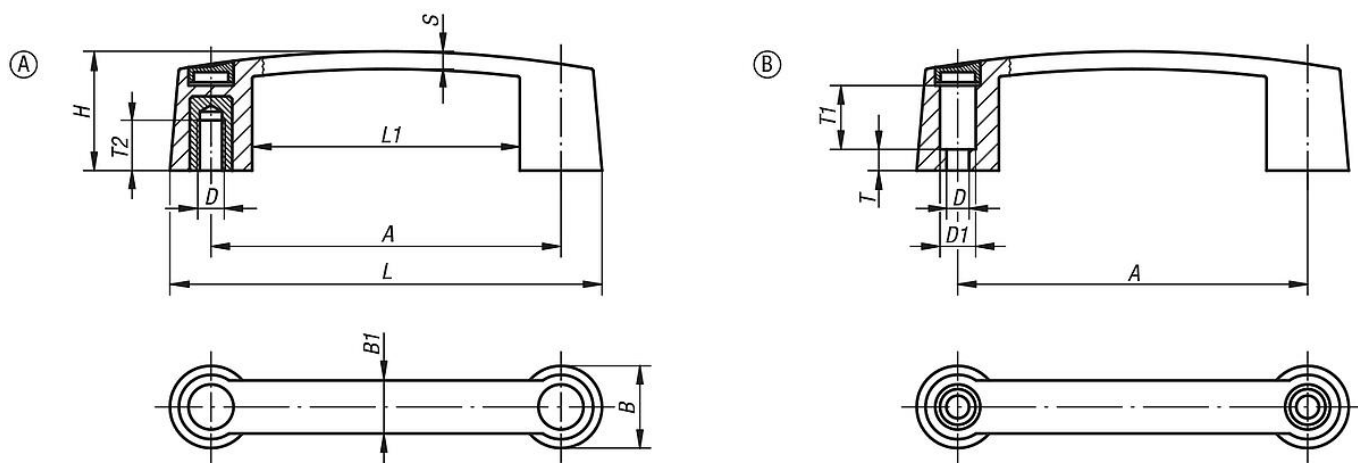
**Material:**  
Thermoplastic.  
Bushing brass.

**Version:**  
Handle and cap black.

**Assembly:**  
Form A from the rear.  
Form B from the front.

**On request:**  
Other handle or cap colours.

Drawings



Overview of items

| Order No.    | Form | A    | B  | B1 | D   | D1   | H  | L     | L1   | S   | T   | T1 | T2   | Load capacity N |
|--------------|------|------|----|----|-----|------|----|-------|------|-----|-----|----|------|-----------------|
| 06902-109406 | A    | 93,5 | 26 | 17 | M6  | -    | 35 | 119,5 | 67,5 | 5,8 | -   | -  | 15,5 | 320             |
| 06902-111706 | A    | 117  | 29 | 19 | M6  | -    | 40 | 145   | 89   | 6,4 | -   | -  | 15,5 | 320             |
| 06902-111708 | A    | 117  | 29 | 19 | M8  | -    | 40 | 145   | 89   | 6,4 | -   | -  | 16   | 870             |
| 06902-113206 | A    | 132  | 31 | 20 | M6  | -    | 45 | 163   | 101  | 6,7 | -   | -  | 15,5 | 320             |
| 06902-113208 | A    | 132  | 31 | 20 | M8  | -    | 45 | 163   | 101  | 6,7 | -   | -  | 16   | 870             |
| 06902-117910 | A    | 179  | 35 | 22 | M10 | -    | 50 | 213   | 145  | 7,1 | -   | -  | 22   | 1200            |
| 06902-209406 | B    | 93,5 | 26 | 17 | 6,8 | 12   | 35 | 119,5 | 67,5 | 5,8 | 4,5 | 19 | -    | 500             |
| 06902-211708 | B    | 117  | 29 | 19 | 8,5 | 13,5 | 40 | 145   | 89   | 6,4 | 8   | 23 | -    | 950             |
| 06902-213208 | B    | 132  | 31 | 20 | 8,5 | 13,5 | 45 | 163   | 101  | 6,7 | 8   | 22 | -    | 950             |
| 06902-217908 | B    | 179  | 35 | 22 | 8,5 | 13,5 | 50 | 213   | 145  | 7,1 | 12  | 22 | -    | 950             |