

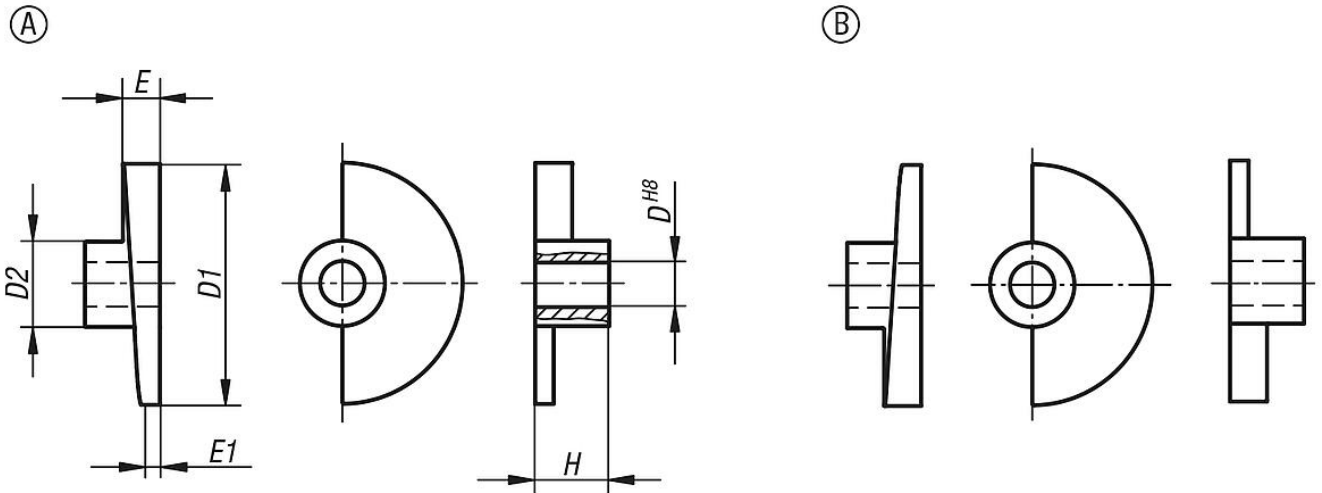
Item description/product images



Description

Material:
Sintered steel

Drawings



Overview of items

Order No. Form A right	Order No. Form B left	D	D1	D2	E	E1	H
04362-108	04362-208	8	35	18	7	3	15
04362-110	04362-210	10	35	18	7	3	15
04362-112	04362-212	12	65	23	7	5	20
04362-116	04362-216	16	80	27	9	6	24