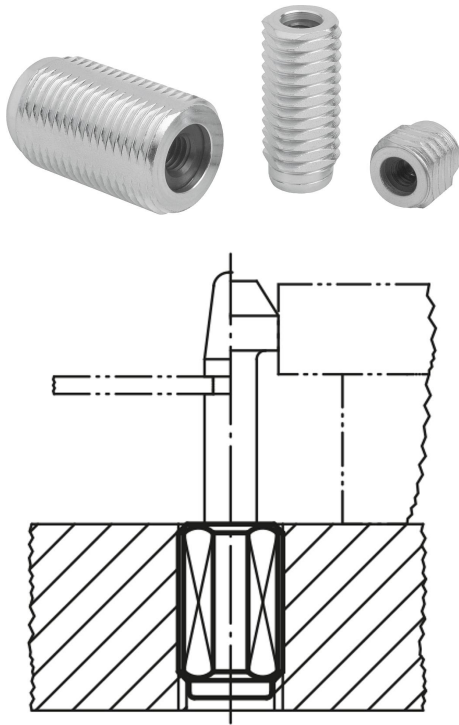


## Item description/product images



## Description

**Material:**

Steel.

**Version:**

Sleeve blue electro zinc-plated.

Washer, hardened and burnished.

**Note:**

The thrust pin can be made to suit the required circumstances and screwed into the tapped hole in the locating washer.

The required lateral thrust (F) can be achieved through the stroke (S) and length (L1).

Form B has a seal to keep swarf and dirt out.

**Drawing reference:**

Form A: without seal

Form B: with seal

1) assembly tool

## Overview of items