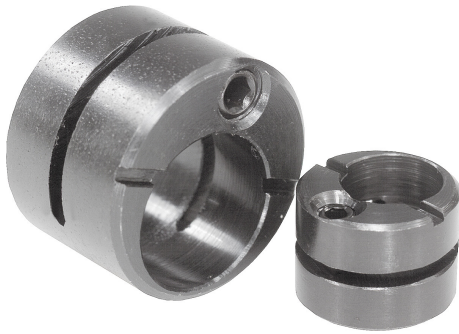


Item description/product images

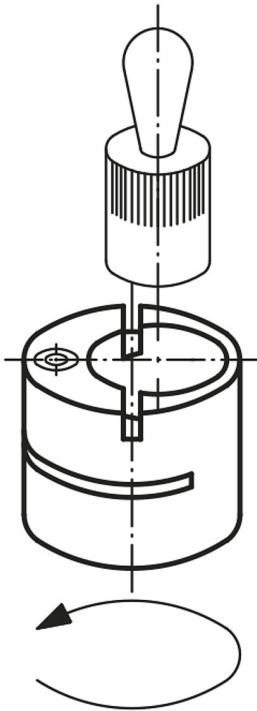


**Description**

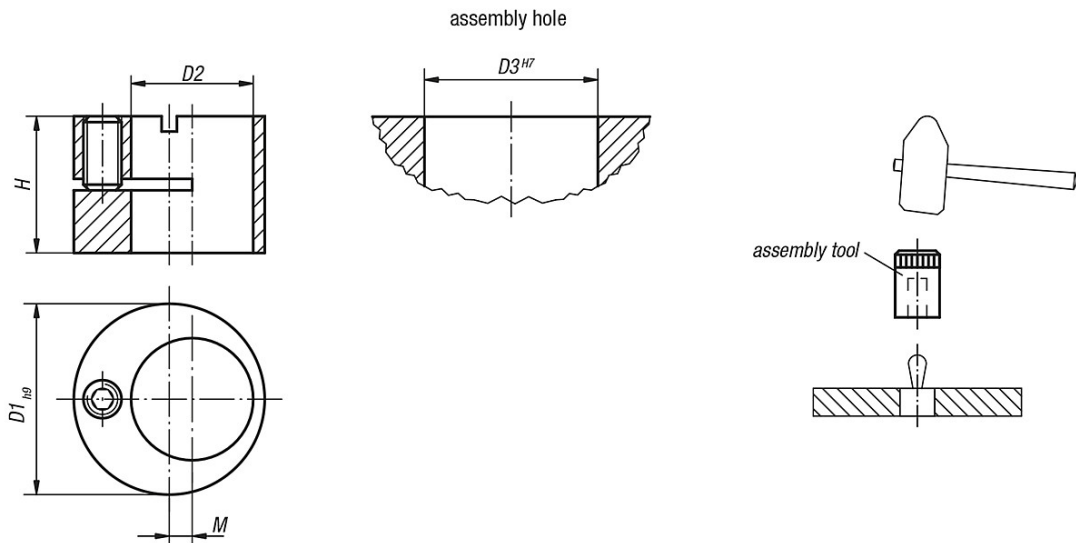
**Material:**  
Steel.

**Version:**  
Black oxidised.

**Note:**  
Eccentric bushes enable lateral spring plungers to be positioned exactly to the workpiece.



Drawings



## Overview of items

## Assembly tools

Order No.	Suitable for lateral spring plungers with D =
03330-03	6
03330-05	10
03330-08	12
03330-10	16

## Eccentric bushes for lateral spring plungers

Order No.	D1	D2	D3	H	M	Suitable for lateral spring plungers with D =
03330-120	12	6	12	9,9	2	6
03330-150	15	8	15	9,9	2	8
03330-160	16	10	16	11,9	2	10
03330-180	18	12	18	13,9	2	12
03330-250	25	16	25	17,9	3	16