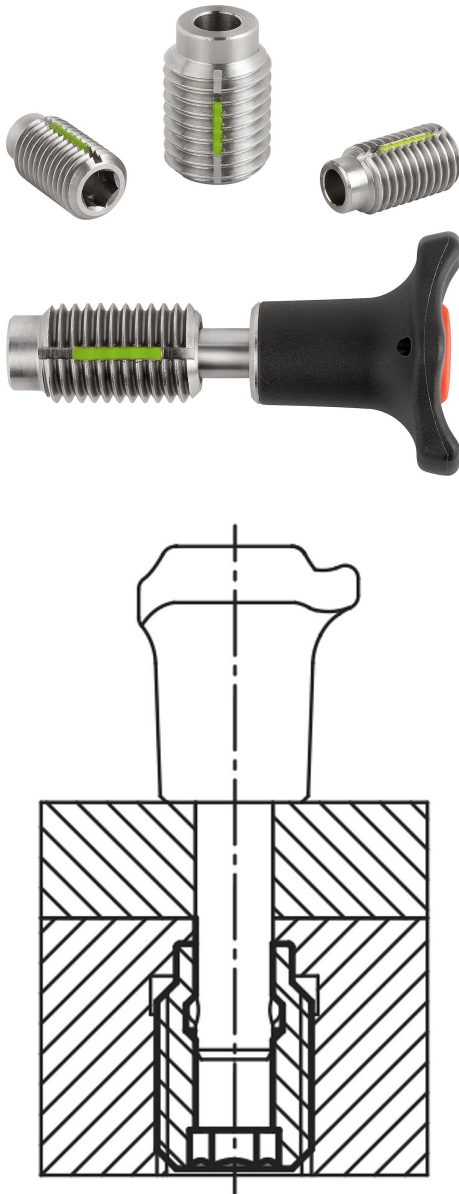


Item description/product images

**Description****Material:**

Stainless steel 1.4305.

Thread lock nylon.

Version:

Bright.

Note:

These bushes are ideal for easy and quick positioning of ball lock pins and locking pins.

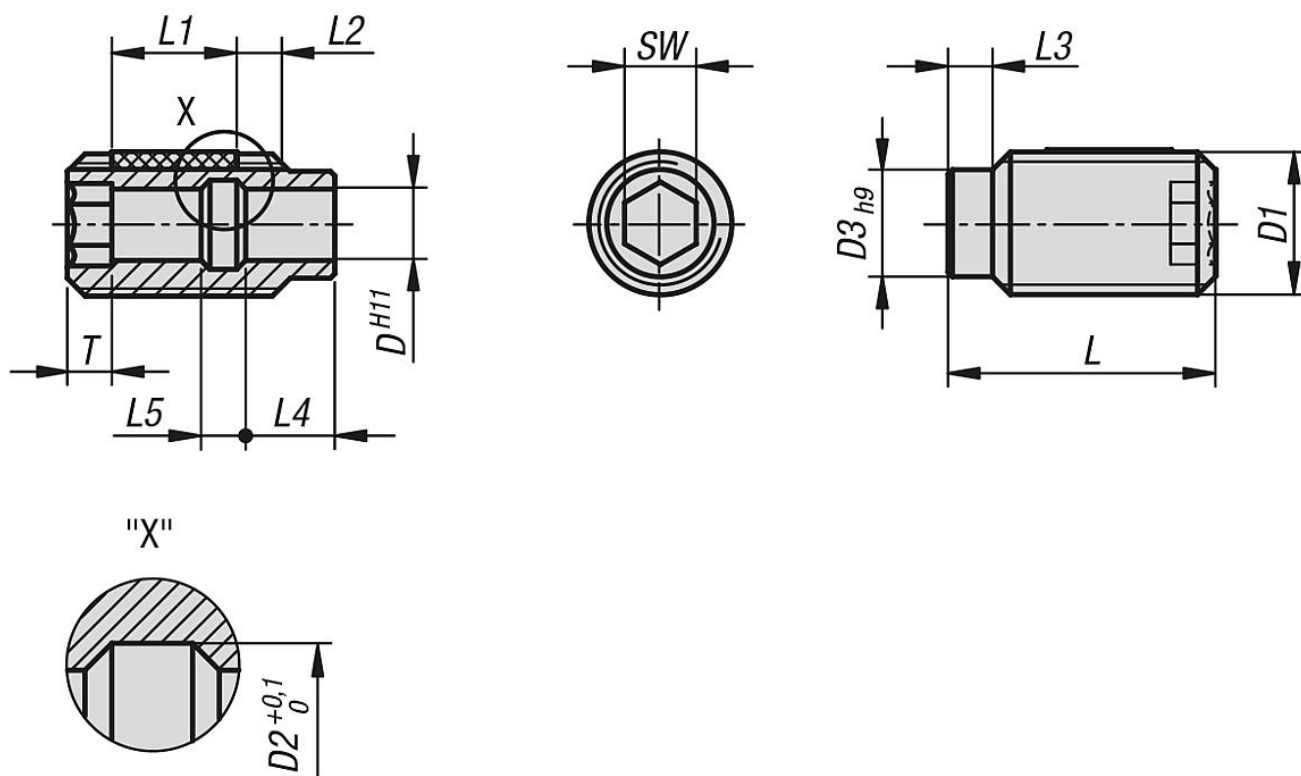
Advantages:

- The locating bush is centred by the centring collar.
- Easy and reliable screwing in.
- Can be screwed into various materials.
- Usable on both sides.
- The thread lock enables the installation depth to be matched exactly to the existing components, so no hammering is necessary.

Drawing reference:

L2 = approx. 2x thread pitch

Drawings



Overview of items

Order No.	D	D1	D2	D3	L	L1	L3	L4	L5	SW	T
03197-105121	5	M12	6	9	25	10	4	7	3	5	4
03197-106161	6	M16	7,5	12	30	14	5	10	5	6	5
03197-108161	8	M16	10	12	30	14	5	10	5	8	5
03197-110241	10	M24	13	18	35	14	6	8	7	10	6
03197-112241	12	M24	15	18	35	14	6	8	7	12	6
03197-116301	16	M30	20	24	40	14	8	11	9	16	7