

Item description/product images



Description

Material:

High-strength aluminium alloy

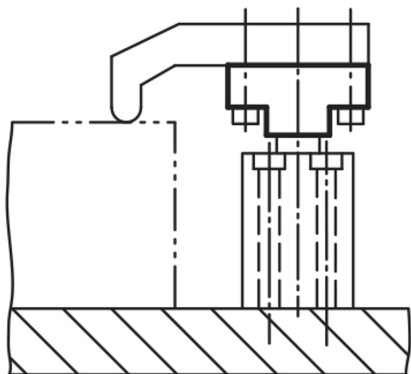
Version:

Coated with hart-coat®

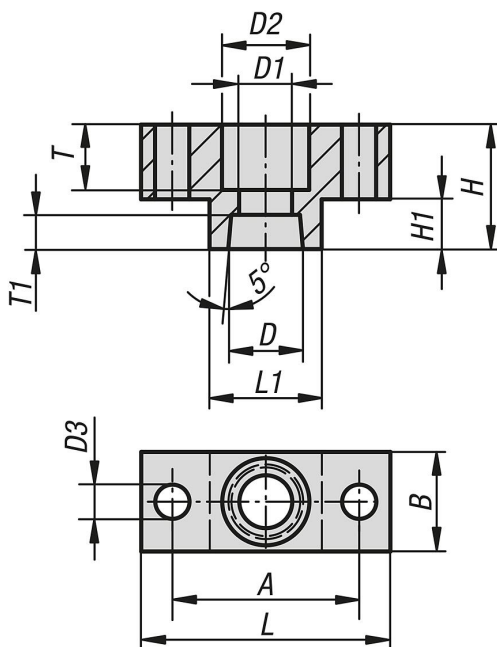
Note:

Hard wearing surface, repels welding particles.

Holds matching clamping arms. Suitable for pneumatic swing clamp 05610 in respective sizes.



Drawings



Overview of items

Order No.	Size	A	B	D	D1	D2	D3	H	H1	L	L1	T	T1
05625-1216	12/16	22	12	8	5,5	10	4,5	14	6	30	13	7	5
05625-2000	20	30	16	12	8,5	14	5,5	20	8	40	18	10,5	5,5
05625-2500	25	38	16	14	8,5	14	5,5	20	8	50	25	8	6,5
05625-3240	32/40	45	19	16	8,5	14	7	25	10	60	30	11	9

Overview of items

Order No.	Size	A	B	D	D1	D2	D3	H	H1	L	L1	T	T1
05625-5063	50/63	48	25	20	10,5	17	9	30	12	65	30	14	10