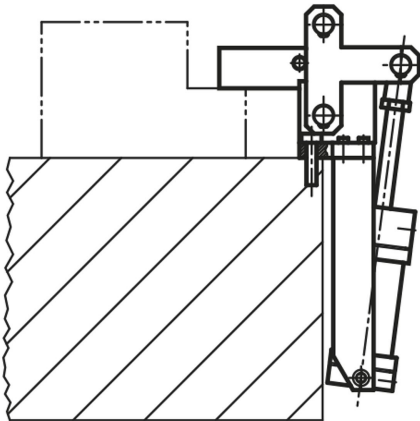


## Item description/product images

**Description****Material:**

Carbon steel.

**Version:**

Black oxidised.

**Note:**

The clamps 05350 and 05360 are suitable for fitting in special machines and transfer machines. The tempered and ground bearing pins that run in Teflon bearings make them maintenance-free. The heavy-duty design and the double-acting pneumatic cylinder guarantee a long life.

The fastening screws for the hinges are secured with LOCTITE.

The magnetic piston is prepared for electric end position feedback.

VL = compressed air consumption per complete cycle in  $\text{dm}^3$  at 6 bar.

**Clamping and retaining forces**

The selection of the correct clamp size is dependant on the force (see table). It is distinguish between retaining force F1 or F2 and clamping force F3 or F4.

The clamping force F3 and F4 is the force exerted by the clamping arm on the part to be machined when the clamp is closed.

The retaining force F1 and F2 is the force with which the closed clamping arm opposes the machining forces occurring on the part to be machined and which it resists with no permanent deformation. It is greater than the clamping force because the dead point of the lever has to be overcome with the clamp closed when being pushed back.

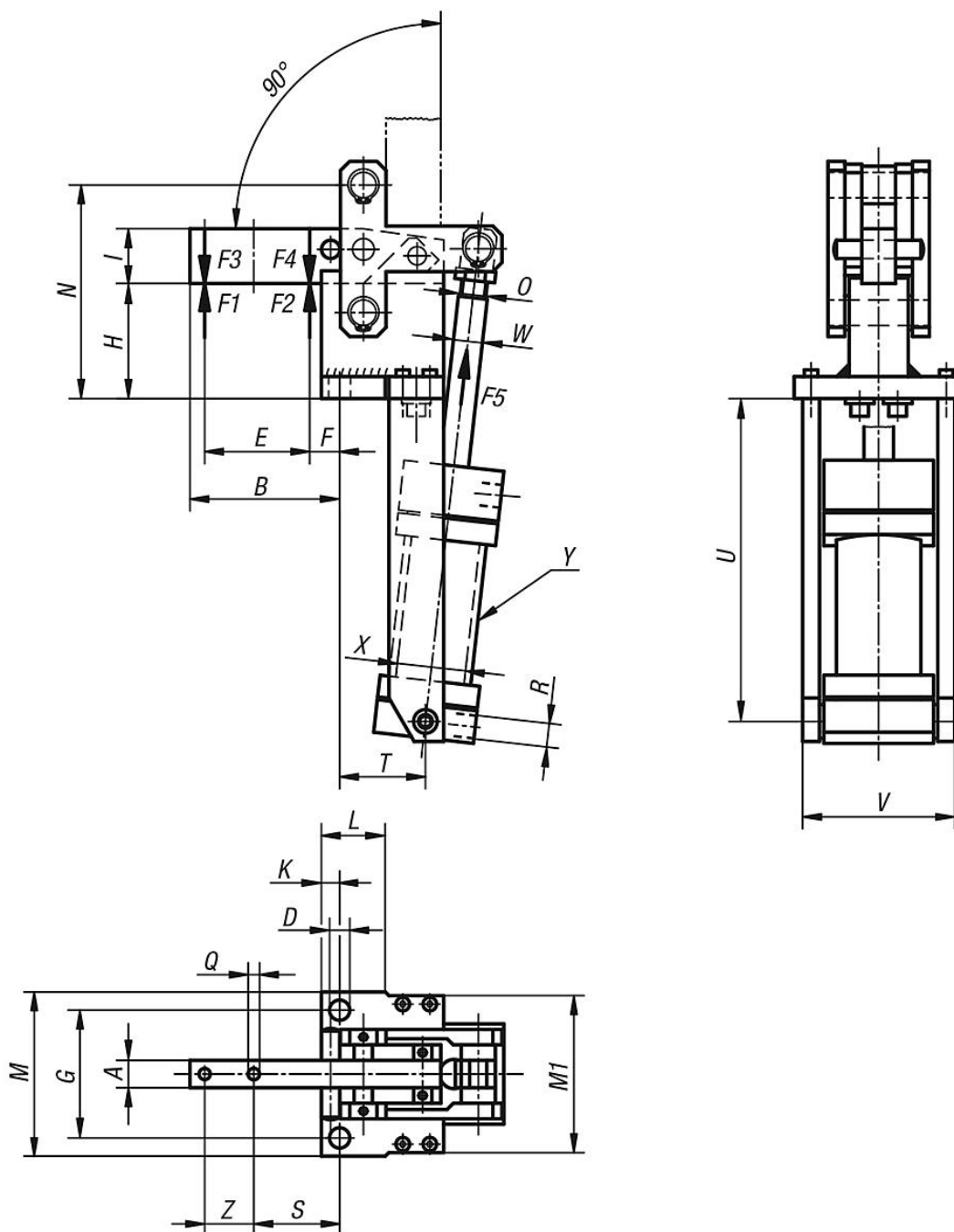
**On request:**

Clamps without cylinder.

**Drawing reference:**

Y = cylinder travel

Drawings



Overview of items

Order No.	A	B	D	E	F	G	H	I	K	L	M	M1	N	O	Q	S	T
05360-04	15	82	11	54	20	70	65	30	10	35	90	90	117	M12x1,25	6,2	47	46
05360-06	20	91	13	60	22	83	69	40	12	32	107	100	137	M16x1,5	8,2	54	48
05360-08	30	125	17	95	24,5	115	94	60	15	49	145	123	184	M16x1,5	13,2	67	77

Order No.	U	V	W	X	Y	R	Z	total height	total length	F1 kN	F2 kN	F3 kN	F4 kN	F5 kN	VL
05360-04	193	82	16	40	74	G1/8	27	172	340	6	9	1,5	2,2	0,75	1
05360-06	221	101	16	50	87	G1/4	26	195	386	12	18	2,5	3,5	1	1,8
05360-08	255	123	16	63	120	G1/4	40	272	470	20	30	4	6	1,8	4,3

