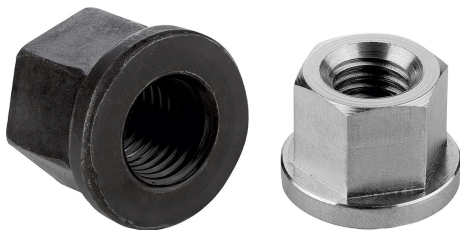


## Item description/product images



## Description

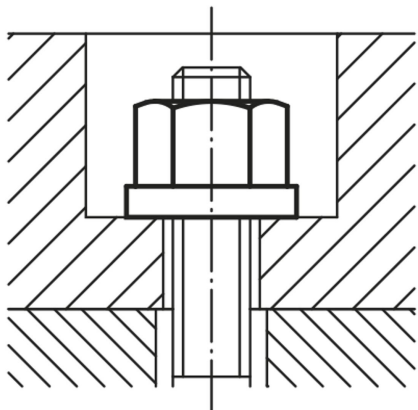
## Material:

High-carbon steel, stainless steel A2 or A4.

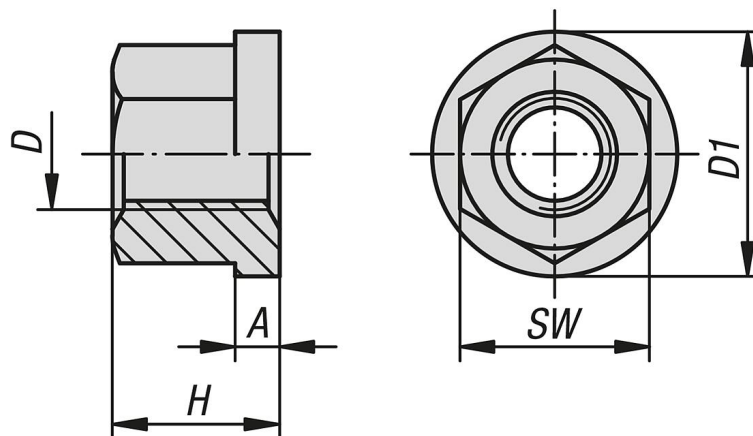
## Version:

Steel grade 10, bright (blackened).

Stainless steel bright.



## Drawings



## Overview of items

Order No.	Main material	D	H = 1,5 x D	A	D1	SW
07240-05	high carbon steel	M5	7,5	2	12	9
07240-06	high carbon steel	M6	9	3	14	10
07240-08	high carbon steel	M8	12	3,5	18	13
07240-10	high carbon steel	M10	15	4	22	16
07240-101	high carbon steel	M10	15	4	22	17
07240-12	high carbon steel	M12	18	4	25	18
07240-121	high carbon steel	M12	18	4	25	19
07240-14	high carbon steel	M14	21	4,5	28	22
07240-16	high carbon steel	M16	24	5	31	24
07240-18	high carbon steel	M18	27	5	34	27
07240-20	high carbon steel	M20	30	6	37	30
07240-22	high carbon steel	M22	33	6	40	34
07240-24	high carbon steel	M24	36	6	45	36
07240-30	high carbon steel	M30	45	8	58	46

## Overview of items

Order No.	Main material	D	H = 1,5 x D	A	D1	SW
07240-36	high carbon steel	M36	54	10	68	55
07240-806	stainless steel A2	M6	9	3	14	10
07240-808	stainless steel A2	M8	12	3,5	18	13
07240-810	stainless steel A2	M10	15	4	22	16
07240-811	stainless steel A2	M10	15	4	22	17
07240-812	stainless steel A2	M12	18	4	25	18
07240-8121	stainless steel A2	M12	18	4	25	19
07240-816	stainless steel A2	M16	24	5	31	24
07240-820	stainless steel A2	M20	30	6	37	30
07240-908	stainless steel A4	M8	12	3,5	18	13
07240-910	stainless steel A4	M10	15	4	22	17
07240-912	stainless steel A4	M12	18	4	25	19
07240-916	stainless steel A4	M16	24	5	31	24
07240-920	stainless steel A4	M20	30	6	37	30