

Item description/product images



Description

Material:

Steel 1.0503 (C45).

Version:

Milled tothing, straight teeth.
Engagement angle 20°, bright.

Note:

Up to 70 teeth with hub one side, from 72 teeth supplied as disc form.

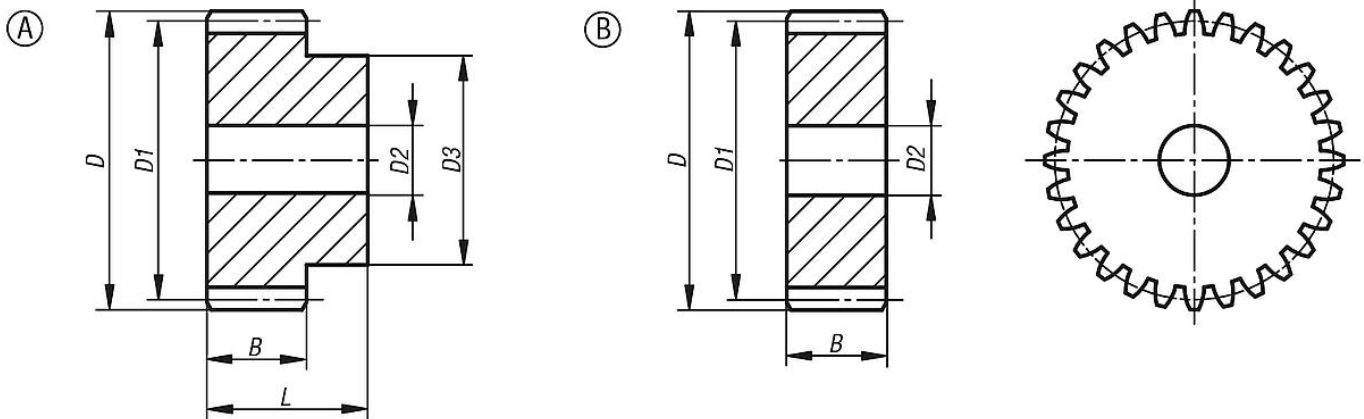
The spur gears have a centre bore or pilot hole (this can vary due to manufacturing methods). For this reason, the dimension D2 max. given in the table is the maximum diameter of the bore with which the spur gears are supplied. This pilot/centre bore can be amended by the customer to produce a reamed bore, reamed bore with keyway or a tapped hole. Alternatively, customers can also use bushes to reduce the bore diameter.

Drawing reference:

Form A: with hub

Form B: without hub

Drawings



Overview of items

Order No.	Form	No. of teeth	D	D1	D2 max.	D3	B	L
22400-0120200012	A	12	28	24	10	18	20	35
22400-0120200013	A	13	30	26	10	20	20	35
22400-0120200014	A	14	32	28	10	22	20	35
22400-0120200015	A	15	34	30	10	24	20	35
22400-0120200016	A	16	36	32	10	25	20	35
22400-0120200017	A	17	38	34	10	25	20	35
22400-0120200018	A	18	40	36	10	25	20	35
22400-0120200019	A	19	42	38	10	25	20	35
22400-0120200020	A	20	44	40	10	30	20	35
22400-0120200021	A	21	46	42	12	30	20	35
22400-0120200022	A	22	48	44	12	30	20	35
22400-0120200023	A	23	50	46	12	30	20	35
22400-0120200024	A	24	52	48	12	35	20	35
22400-0120200025	A	25	54	50	12	35	20	35
22400-0120200026	A	26	56	52	12	40	20	35

22400 Spur gears in steel, module 2 tothing milled, straight teeth, engagement angle 20°



Overview of items

Order No.	Form	No. of teeth	D	D1	D2 max.	D3	B	L
22400-0120200027	A	27	58	54	12	40	20	35
22400-0120200028	A	28	60	56	12	40	20	35
22400-0120200029	A	29	62	58	14	40	20	35
22400-0120200030	A	30	64	60	14	40	20	35
22400-0120200031	A	31	66	62	14	45	20	35
22400-0120200032	A	32	68	64	14	45	20	35
22400-0120200033	A	33	70	66	14	45	20	35
22400-0120200034	A	34	72	68	14	45	20	35
22400-0120200035	A	35	74	70	14	45	20	35
22400-0120200036	A	36	76	72	14	45	20	35
22400-0120200037	A	37	78	74	14	50	20	35
22400-0120200038	A	38	80	76	14	50	20	35
22400-0120200039	A	39	82	78	14	50	20	35
22400-0120200040	A	40	84	80	14	50	20	35
22400-0120200041	A	41	86	82	20	55	20	35
22400-0120200042	A	42	88	84	20	55	20	35
22400-0120200043	A	43	90	86	20	55	20	35
22400-0120200044	A	44	92	88	20	60	20	35
22400-0120200045	A	45	94	90	20	60	20	35
22400-0120200046	A	46	96	92	20	60	20	35
22400-0120200047	A	47	98	94	20	70	20	35
22400-0120200048	A	48	100	96	20	70	20	35
22400-0120200049	A	49	102	98	20	70	20	35
22400-0120200050	A	50	104	100	20	70	20	35
22400-0120200051	A	51	106	102	20	70	20	35
22400-0120200052	A	52	108	104	20	70	20	35
22400-0120200053	A	53	110	106	20	70	20	35
22400-0120200054	A	54	112	108	20	70	20	35
22400-0120200055	A	55	114	110	20	70	20	35
22400-0120200056	A	56	116	112	20	70	20	35
22400-0120200057	A	57	118	114	20	70	20	35
22400-0120200058	A	58	120	116	20	70	20	35
22400-0120200059	A	59	122	118	20	70	20	35
22400-0120200060	A	60	124	120	20	70	20	35
22400-0120200061	A	61	126	122	20	80	20	35
22400-0120200062	A	62	128	124	20	80	20	35
22400-0120200063	A	63	130	126	20	80	20	35
22400-0120200064	A	64	132	128	20	80	20	35
22400-0120200065	A	65	134	130	20	80	20	35
22400-0120200066	A	66	136	132	20	80	20	35
22400-0120200067	A	67	138	134	20	80	20	35
22400-0120200068	A	68	140	136	20	80	20	35
22400-0120200069	A	69	142	138	20	80	20	35
22400-0120200070	A	70	144	140	20	80	20	35
22400-0220200072	B	72	148	144	20	-	20	-
22400-0220200075	B	75	154	150	20	-	20	-
22400-0220200076	B	76	156	152	20	-	20	-
22400-0220200080	B	80	164	160	20	-	20	-
22400-0220200085	B	85	174	170	20	-	20	-
22400-0220200090	B	90	184	180	20	-	20	-
22400-0220200095	B	95	194	190	20	-	20	-
22400-0220200100	B	100	204	200	20	-	20	-
22400-0220200110	B	110	224	220	20	-	20	-
22400-0220200114	B	114	232	228	20	-	20	-
22400-0220200120	B	120	244	240	20	-	20	-
22400-0220200127	B	127	258	254	20	-	20	-

