

## Item description/product images



### Description

**Material:**

Steel 1.0503 (C45).

**Version:**

Milled tothing, straight teeth.  
Engagement angle 20°, bright.

**Note:**

Up to 70 teeth with hub one side, from 72 teeth supplied as disc form.

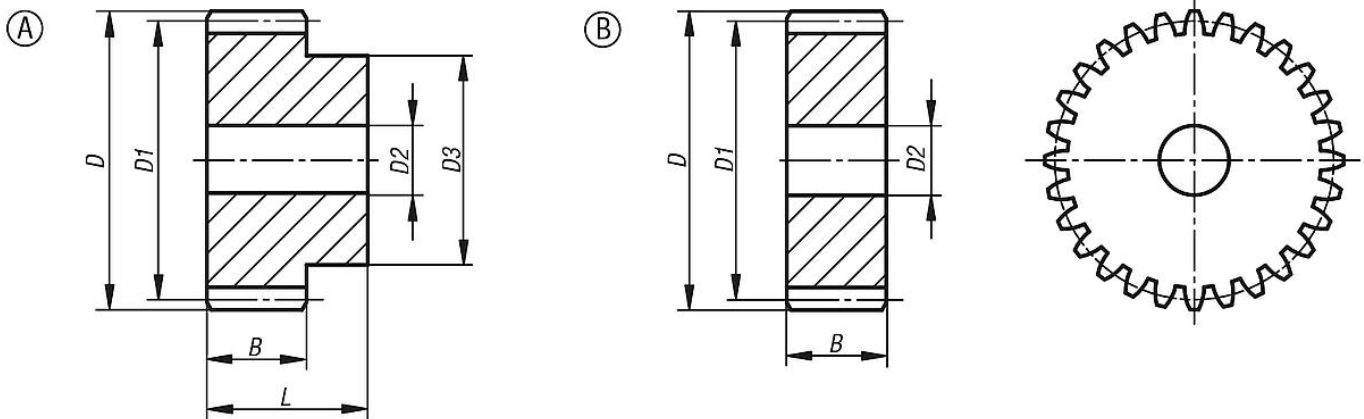
The spur gears have a centre bore or pilot hole (this can vary due to manufacturing methods). For this reason, the dimension D2 max. given in the table is the maximum diameter of the bore with which the spur gears are supplied. This pilot/centre bore can be amended by the customer to produce a reamed bore, reamed bore with keyway or a tapped hole. Alternatively, customers can also use bushes to reduce the bore diameter.

**Drawing reference:**

Form A: with hub

Form B: without hub

## Drawings



## Overview of items

Order No.	Form	No. of teeth	D	D1	D2 max.	D3	B	L
22400-0110150012	A	12	14	12	6	9	15	25
22400-0110150013	A	13	15	13	6	10	15	25
22400-0110150014	A	14	16	14	6	11	15	25
22400-0110150015	A	15	17	15	8	12	15	25
22400-0110150016	A	16	18	16	8	13	15	25
22400-0110150017	A	17	19	17	8	14	15	25
22400-0110150018	A	18	20	18	8	15	15	25
22400-0110150019	A	19	21	19	8	15	15	25
22400-0110150020	A	20	22	20	8	16	15	25
22400-0110150021	A	21	23	21	8	16	15	25
22400-0110150022	A	22	24	22	8	16	15	25
22400-0110150023	A	23	25	23	8	18	15	25
22400-0110150024	A	24	26	24	10	20	15	25
22400-0110150025	A	25	27	25	10	20	15	25
22400-0110150026	A	26	28	26	10	20	15	25

# 22400 Spur gears in steel, module 1 tothing milled, straight teeth, engagement angle 20°



## Overview of items

Order No.	Form	No. of teeth	D	D1	D2 max.	D3	B	L
22400-0110150027	A	27	29	27	10	20	15	25
22400-0110150028	A	28	30	28	10	20	15	25
22400-0110150029	A	29	31	29	10	20	15	25
22400-0110150030	A	30	32	30	10	20	15	25
22400-0110150031	A	31	33	31	10	25	15	25
22400-0110150032	A	32	34	32	10	25	15	25
22400-0110150033	A	33	35	33	10	25	15	25
22400-0110150034	A	34	36	34	10	25	15	25
22400-0110150035	A	35	37	35	10	25	15	25
22400-0110150036	A	36	38	36	10	25	15	25
22400-0110150037	A	37	39	37	10	25	15	25
22400-0110150038	A	38	40	38	10	25	15	25
22400-0110150039	A	39	41	39	10	25	15	25
22400-0110150040	A	40	42	40	10	25	15	25
22400-0110150041	A	41	43	41	10	30	15	25
22400-0110150042	A	42	44	42	10	30	15	25
22400-0110150043	A	43	45	43	10	30	15	25
22400-0110150044	A	44	46	44	10	30	15	25
22400-0110150045	A	45	47	45	10	30	15	25
22400-0110150046	A	46	48	46	10	30	15	25
22400-0110150047	A	47	49	47	10	30	15	25
22400-0110150048	A	48	50	48	10	30	15	25
22400-0110150049	A	49	51	49	10	30	15	25
22400-0110150050	A	50	52	50	12	30	15	25
22400-0110150051	A	51	53	51	12	40	15	25
22400-0110150052	A	52	54	52	12	40	15	25
22400-0110150053	A	53	55	53	12	40	15	25
22400-0110150054	A	54	56	54	12	40	15	25
22400-0110150055	A	55	57	55	12	40	15	25
22400-0110150056	A	56	58	56	12	40	15	25
22400-0110150057	A	57	59	57	12	40	15	25
22400-0110150058	A	58	60	58	12	40	15	25
22400-0110150059	A	59	61	59	12	40	15	25
22400-0110150060	A	60	62	60	12	40	15	25
22400-0110150061	A	61	63	61	12	50	15	25
22400-0110150062	A	62	64	62	12	50	15	25
22400-0110150063	A	63	65	63	12	50	15	25
22400-0110150064	A	64	66	64	12	50	15	25
22400-0110150065	A	65	67	65	12	50	15	25
22400-0110150066	A	66	68	66	12	50	15	25
22400-0110150067	A	67	69	67	12	50	15	25
22400-0110150068	A	68	70	68	12	50	15	25
22400-0110150069	A	69	71	69	12	50	15	25
22400-0110150070	A	70	72	70	12	50	15	25
22400-0210150072	B	72	74	72	12	-	15	-
22400-0210150075	B	75	77	75	12	-	15	-
22400-0210150076	B	76	78	76	12	-	15	-
22400-0210150080	B	80	82	80	12	-	15	-
22400-0210150085	B	85	87	85	12	-	15	-
22400-0210150090	B	90	92	90	12	-	15	-
22400-0210150095	B	95	97	95	12	-	15	-
22400-0210150100	B	100	102	100	12	-	15	-
22400-0210150110	B	110	112	110	12	-	15	-
22400-0210150114	B	114	116	114	12	-	15	-
22400-0210150120	B	120	122	120	12	-	15	-
22400-0210150127	B	127	129	127	12	-	15	-

