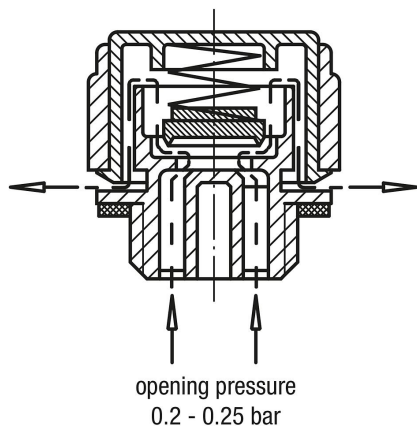


Item description/product images



Operating principle



Description

Material:

Housing and cap thermoplastic polyamide.
Spring stainless steel.
Dipstick zinc.
Lift disc and seal rubber (NBR).

Version:

Housing black.
Cap red.
Dipstick phosphated.

Note:

Opening pressure 0.20 – 0.25 bar.

Temperature range:

Temperature resistant with oil up to 100°C.

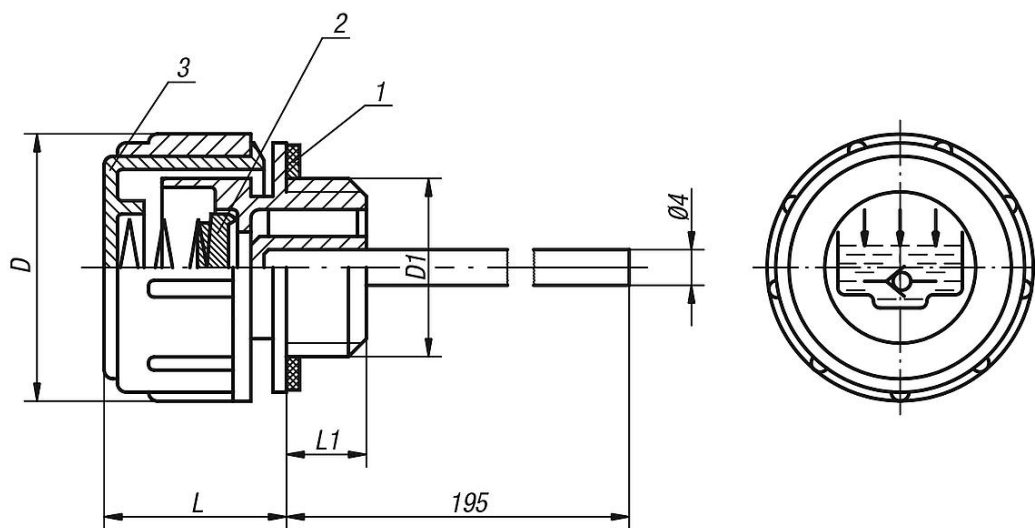
On request:

Min-Max markings.

Drawing reference:

- 1) flat seal
- 2) lift disc
- 3) cap

Drawings



Overview of items

Order No.	D	D1	L	L1
28058-30038	30	G3/8	21	10
28058-30012	30	G1/2	21	10

