

Item description/product images



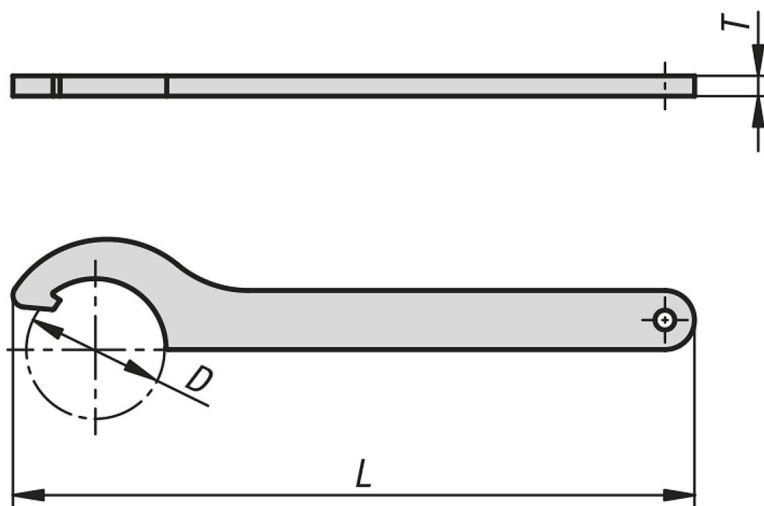
Description

Material:
Special steel.

Version:
Hardened and annealed in black oxide tone.

Note:
For DIN 1804 slotted round nuts, DIN 981 bearing nuts and for our levelling sets 27700 to 27708 (two hook wrenches will be required for the levelling sets). With rounded edges for better handling.

Drawings



Overview of items

Order No.	D min.	D max.	L	T	for slotted nuts DIN 1804	for bearing locknuts DIN 981
96650-012014	12	14	110	3	-	-
96650-016020	16	20	110	3	M6, M8	M10
96650-025028	25	28	136	4	M10, M12	M16
96650-030032	30	32	136	4	M14, M16	M18, M20
96650-034036	34	36	170	5	M18, M20	M22
96650-038045	38	45	170	5	M26	M24 - M30
96650-040042	40	42	170	5	M22, M24	M26, M28
96650-045050	45	50	206	6	M26 - M30	M32, M35
96650-052055	52	55	206	6	M32, M35	M38
96650-058062	58	62	240	7	M38 - M42	M42 - M45
96650-065070	65	70	240	7	-	M48 - M52
96650-068075	68	75	240	7	M45 - M50	M50 - M55
96650-080090	80	90	280	8	M52 - M60	M60 - M70