

Item description/product images

**Description****Material:**

Electro zinc-plated steel or stainless steel.

Note:

Ball transfer units with steel housing have a felt seal to protect against dirt.

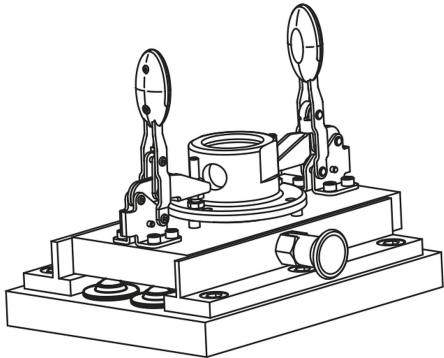
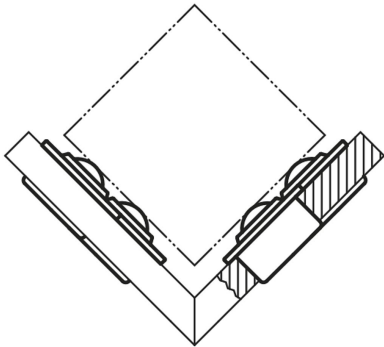
Drawing reference:

- 1) load ball
- 2) bearing balls

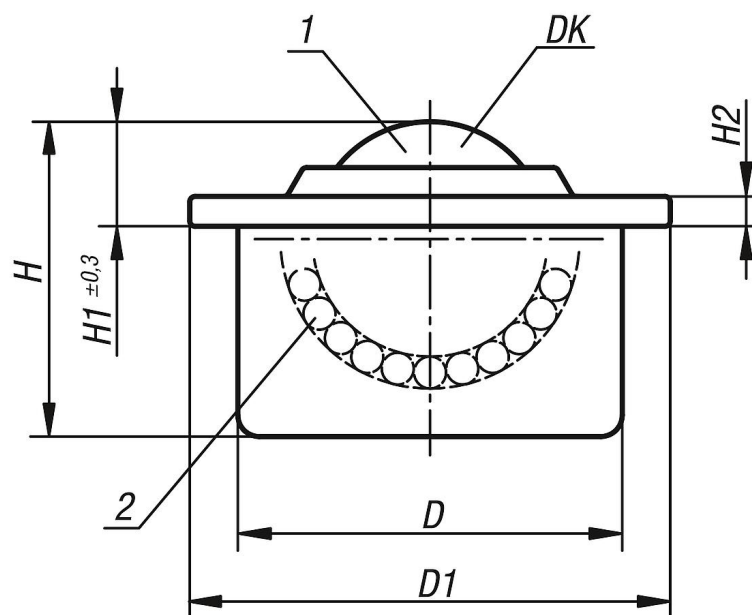
Form B: cap and housing electro zinc-plated, balls steel

Form C: cap and housing electro zinc-plated, balls stainless steel

Form D: cap, housing and balls stainless steel



Drawings



Overview of items

| Order No. | Form | DK | D | D1 | H | H1 | H2 | Load rating C (N) | Suitable tolerance ring |
|-----------|------|------|----------|----|------|------|-----|-------------------|-------------------------|
| 95150-115 | B | 15,8 | 24±0,065 | 31 | 21 | 9,5 | 2,8 | 600 | 95164-024 |
| 95150-122 | B | 22,2 | 36±0,080 | 45 | 30 | 9,8 | 2,8 | 1600 | 95164-036 |
| 95150-130 | B | 30 | 45±0,080 | 55 | 37 | 13,8 | 4 | 3000 | 95164-045 |
| 95150-145 | B | 44,5 | 62±0,095 | 75 | 53,5 | 19 | 4 | 6100 | 95164-062 |
| 95150-215 | C | 15,8 | 24±0,065 | 31 | 21 | 9,5 | 2,8 | 600 | 95164-024 |
| 95150-222 | C | 22,2 | 36±0,080 | 45 | 30 | 9,8 | 2,8 | 1600 | 95164-036 |
| 95150-230 | C | 30 | 45±0,080 | 55 | 37 | 13,8 | 4 | 3000 | 95164-045 |
| 95150-245 | C | 44,5 | 62±0,095 | 75 | 53,5 | 19 | 4 | 6100 | 95164-062 |
| 95150-315 | D | 15,8 | 24±0,065 | 31 | 21 | 9,5 | 2,8 | 380 | 95164-024 |
| 95150-322 | D | 22,2 | 36±0,080 | 45 | 30 | 9,8 | 2,8 | 1000 | 95164-036 |
| 95150-330 | D | 30 | 45±0,080 | 55 | 37 | 13,8 | 4 | 2000 | 95164-045 |