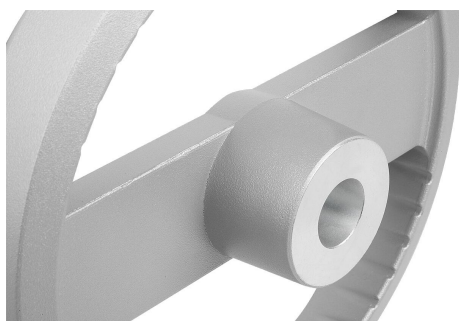
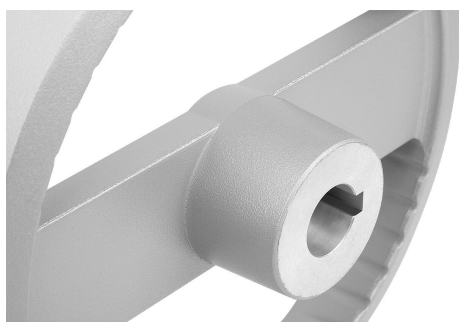
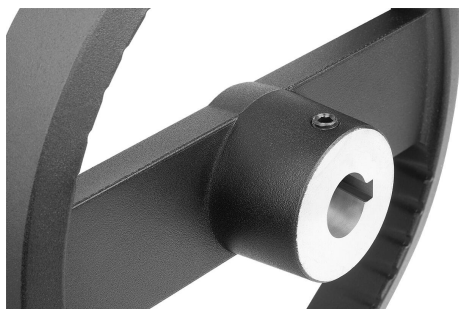
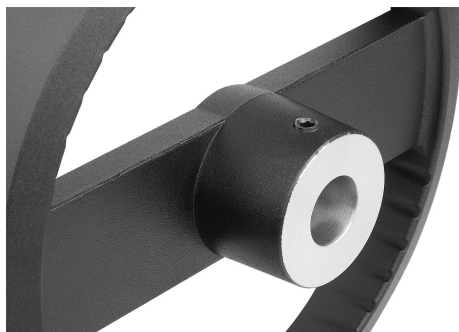


Item description/product images

**Description****Material:**

Handwheel aluminium.
Cylinder grip and hub cover black thermoplastic.
Cylinder grip pin black oxidised steel.
ISO 4027 grub screw, steel grade 45 H, black.

Version:

Black or silver powder-coated.

With reamed hole.
With reamed hole and keyway.
With reamed hole and transverse bore.
With reamed hole, keyway and transverse bore.

Note:

Wheel rim radial and axial run-out ≤ 0.4 mm.

Assembly:

The hub cover and the revolving cylinder grip are supplied unassembled. To assemble, screw the grip into the tapped hole.
The handwheels can be secured to a shaft using a transverse pin or by parallel key connection together with a DIN 6912 cap screw and a handwheel washer 07375.
By the versions with transverse bore, fixation is carried out using an ISO 4027 grub screw.

Supplied with:

Aluminium handwheel.
Hub cover.
Revolving cylinder grip.
ISO 4027 grub screw (type with transverse bore).

Accessory:

07375 Handwheel washers.
07161 Socket head screws with low head DIN 6912.

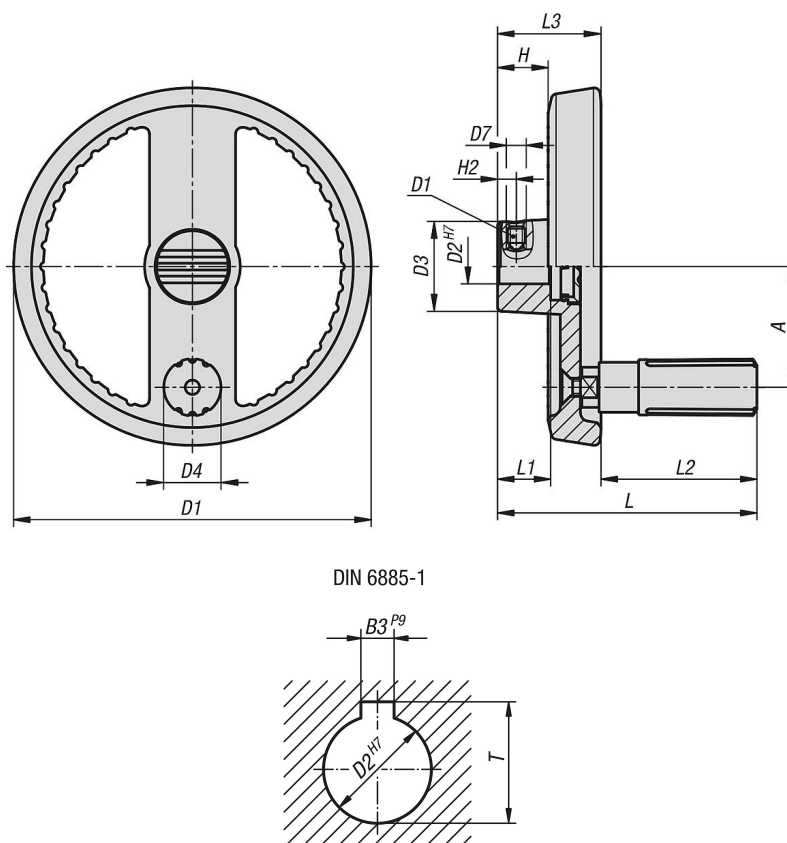
Drawing reference:

1) Position of the transverse bore to the keyway is offset by 90°.

Item description/product images



Drawings



DIN 6885-1

Overview of items

Order No.	Main colour	Form	Form definition	A	B3	D1	D2	D3	D4	D5	D7	H	H2	L	L1	L2	L3	T
06276-11-1251216	black	A	reamed hole with tranverse bore	42	-	125	12	31	19,9	M6	M6	17,6	6,5	90,5	18	54,5	36	-
06276-11-1251416	black	A	reamed hole with tranverse bore	42	-	125	14	31	19,9	M6	M6	17,6	6,5	90,5	18	54,5	36	-
06276-11-1601416	black	A	reamed hole with tranverse bore	55	-	160	14	36	25,2	M8	M6	19,4	6,5	116,5	20	76,5	40	-
06276-11-1601616	black	A	reamed hole with tranverse bore	55	-	160	16	36	25,2	M8	M6	19,4	8	116,5	20	76,5	40	-
06276-11-1251226	silver	A	reamed hole with tranverse bore	42	-	125	12	31	19,9	M6	M6	17,6	6,5	90,5	18	54,5	36	-
06276-11-1251426	silver	A	reamed hole with tranverse bore	42	-	125	14	31	19,9	M6	M6	17,6	6,5	90,5	18	54,5	36	-
06276-11-1601426	silver	A	reamed hole with tranverse bore	55	-	160	14	36	25,2	M8	M6	19,4	6,5	116,5	20	76,5	40	-
06276-11-1601626	silver	A	reamed hole with tranverse bore	55	-	160	16	36	25,2	M8	M6	19,4	8	116,5	20	76,5	40	-

Overview of items

Order No.	Main colour	Form	Form definition	A	B3	D1	D2	D3	D4	D5	D7	H	H2	L	L1	L2	L3	T
06276-11-125121046	black	B	reamed hole with slot, with transverse bore	42	4	125	12	31	19,9	M6	M6	17,6	6,5	90,5	18	54,5	36	13,8
06276-11-125141056	black	B	reamed hole with slot, with transverse bore	42	5	125	14	31	19,9	M6	M6	17,6	6,5	90,5	18	54,5	36	16,3
06276-11-160141056	black	B	reamed hole with slot, with transverse bore	55	5	160	14	36	25,2	M8	M6	19,4	6,5	116,5	20	76,5	40	16,3
06276-11-160161056	black	B	reamed hole with slot, with transverse bore	55	5	160	16	36	25,2	M8	M6	19,4	8	116,5	20	76,5	40	18,3
06276-11-125122046	silver	B	reamed hole with slot, with transverse bore	42	4	125	12	31	19,9	M6	M6	17,6	6,5	90,5	18	54,5	36	13,8
06276-11-125142056	silver	B	reamed hole with slot, with transverse bore	42	5	125	14	31	19,9	M6	M6	17,6	6,5	90,5	18	54,5	36	16,3
06276-11-160142056	silver	B	reamed hole with slot, with transverse bore	55	5	160	14	36	25,2	M8	M6	19,4	6,5	116,5	20	76,5	40	16,3
06276-11-160162056	silver	B	reamed hole with slot, with transverse bore	55	5	160	16	36	25,2	M8	M6	19,4	8	116,5	20	76,5	40	18,3
06276-11-12512104	black	C	reamed hole with slot	42	4	125	12	31	19,9	M6	-	17,6	-	90,5	18	54,5	36	13,8
06276-11-12514105	black	C	reamed hole with slot	42	5	125	14	31	19,9	M6	-	17,6	-	90,5	18	54,5	36	16,3
06276-11-16014105	black	C	reamed hole with slot	55	5	160	14	36	25,2	M8	-	19,4	-	116,5	20	76,5	40	16,3
06276-11-16016105	black	C	reamed hole with slot	55	5	160	16	36	25,2	M8	-	19,4	-	116,5	20	76,5	40	18,3
06276-11-12512204	silver	C	reamed hole with slot	42	4	125	12	31	19,9	M6	-	17,6	-	90,5	18	54,5	36	13,8
06276-11-12514205	silver	C	reamed hole with slot	42	5	125	14	31	19,9	M6	-	17,6	-	90,5	18	54,5	36	16,3
06276-11-16014205	silver	C	reamed hole with slot	55	5	160	14	36	25,2	M8	-	19,4	-	116,5	20	76,5	40	16,3
06276-11-16016205	silver	C	reamed hole with slot	55	5	160	16	36	25,2	M8	-	19,4	-	116,5	20	76,5	40	18,3
06276-11-125121	black	E	with reamed hole	42	-	125	12	31	19,9	M6	-	17,6	-	90,5	18	54,5	36	-
06276-11-125141	black	E	with reamed hole	42	-	125	14	31	19,9	M6	-	17,6	-	90,5	18	54,5	36	-
06276-11-160141	black	E	with reamed hole	55	-	160	14	36	25,2	M8	-	19,4	-	116,5	20	76,5	40	-
06276-11-160161	black	E	with reamed hole	55	-	160	16	36	25,2	M8	-	19,4	-	116,5	20	76,5	40	-
06276-11-125122	silver	E	with reamed hole	42	-	125	12	31	19,9	M6	-	17,6	-	90,5	18	54,5	36	-
06276-11-125142	silver	E	with reamed hole	42	-	125	14	31	19,9	M6	-	17,6	-	90,5	18	54,5	36	-
06276-11-160142	silver	E	with reamed hole	55	-	160	14	36	25,2	M8	-	19,4	-	116,5	20	76,5	40	-
06276-11-160162	silver	E	with reamed hole	55	-	160	16	36	25,2	M8	-	19,4	-	116,5	20	76,5	40	-