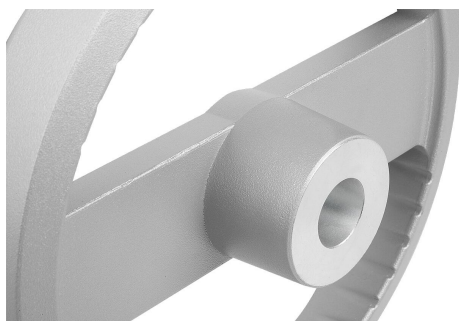
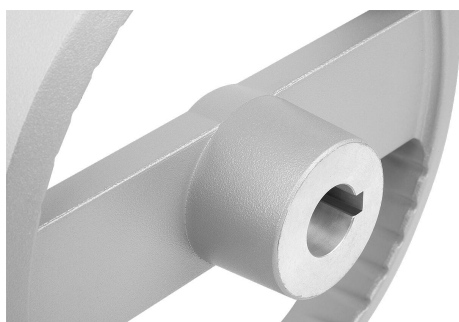
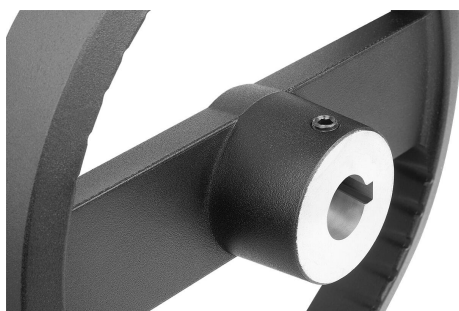
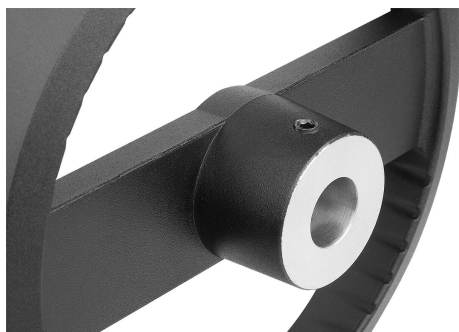


## Item description/product images

**Description****Material:**

Handwheel aluminium.  
Cylinder grip and hub cover black thermoplastic.  
Cylinder grip pin black oxidised steel.  
ISO 4027 grub screw, steel grade 45 H, black.

**Version:**

Black or silver powder-coated.

With reamed hole.  
With reamed hole and keyway.  
With reamed hole and transverse bore.  
With reamed hole, keyway and transverse bore.

**Note:**

Wheel rim radial and axial run-out  $\leq 0.4$  mm.

**Assembly:**

The hub cover is supplied unassembled.  
The handwheels can be secured to a shaft using a transverse pin or by parallel key connection together with a DIN 6912 cap screw and a handwheel washer 07375.  
By the versions with transverse bore, fixation is carried out using an ISO 4027 grub screw.

**Supplied with:**

Aluminium handwheel.  
Hub cover.  
Fold-down cylinder grip.  
ISO 4027 grub screw (type with transverse bore).

**Accessory:**

07375 Handwheel washers.  
07161 Socket head screws with low head DIN 6912.

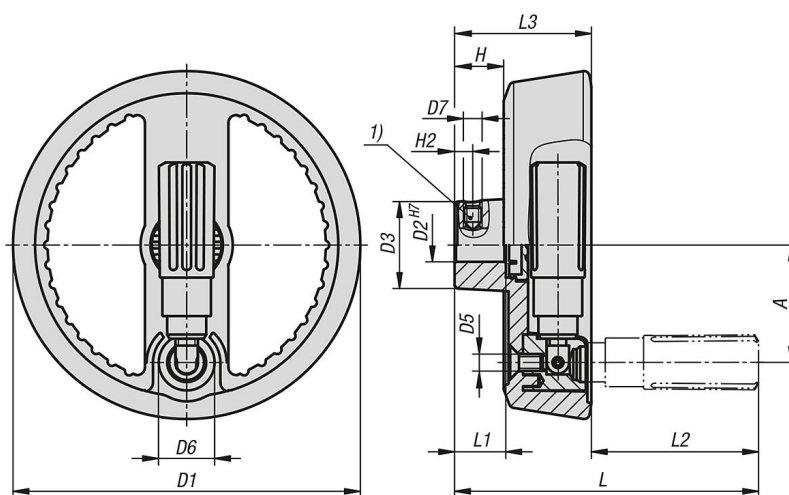
**Drawing reference:**

1) Position of the transverse bore to the keyway is offset by 90°.

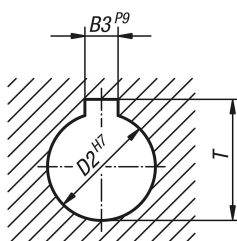
Item description/product images



Drawings



DIN 6885-1



Overview of items

Order No.	Main colour	Form	Form definition	A	B3	D1	D2	D3	D4	D5	D6	D7	H	H2	L	L1	L2	L3	T
06276-12-1251216	black	A	reamed hole with transverse bore	42	-	125	12	31	19,9	M6	20	M6	17,6	6,5	105	18	56	49	-
06276-12-1251416	black	A	reamed hole with transverse bore	42	-	125	14	31	19,9	M6	20	M6	17,6	6,5	105	18	56	49	-
06276-12-1601416	black	A	reamed hole with transverse bore	55	-	160	14	36	26	M8	26	M6	17,8	6,5	137	20	80	57	-

## Overview of items

Order No.	Main colour	Form	Form definition	A	B3	D1	D2	D3	D4	D5	D6	D7	H	H2	L	L1	L2	L3	T
06276-12-1601616	black	A	reamed hole with tranverse bore	55	-	160	16	36	26	M8	26	M6	17,8	8	137	20	80	57	-
06276-12-1251226	silver	A	reamed hole with tranverse bore	42	-	125	12	31	19,9	M6	20	M6	17,6	6,5	105	18	56	49	-
06276-12-1251426	silver	A	reamed hole with tranverse bore	42	-	125	14	31	19,9	M6	20	M6	17,6	6,5	105	18	56	49	-
06276-12-1601426	silver	A	reamed hole with tranverse bore	55	-	160	14	36	26	M8	26	M6	17,8	6,5	137	20	80	57	-
06276-12-1601626	silver	A	reamed hole with tranverse bore	55	-	160	16	36	26	M8	26	M6	17,8	8	137	20	80	57	-
06276-12-125121046	black	B	reamed hole with slot, with transverse bore	42	4	125	12	31	19,9	M6	20	M6	17,6	6,5	105	18	56	49	13,8
06276-12-125141056	black	B	reamed hole with slot, with transverse bore	42	5	125	14	31	19,9	M6	20	M6	17,6	6,5	105	18	56	49	16,3
06276-12-160141056	black	B	reamed hole with slot, with transverse bore	55	5	160	14	36	26	M8	26	M6	17,8	6,5	137	20	80	57	16,3
06276-12-160161056	black	B	reamed hole with slot, with transverse bore	55	5	160	16	36	26	M8	26	M6	17,8	8	137	20	80	57	18,3
06276-12-125122046	silver	B	reamed hole with slot, with transverse bore	42	4	125	12	31	19,9	M6	20	M6	17,6	6,5	105	18	56	49	13,8
06276-12-125142056	silver	B	reamed hole with slot, with transverse bore	42	5	125	14	31	19,9	M6	20	M6	17,6	6,5	105	18	56	49	16,3
06276-12-160142056	silver	B	reamed hole with slot, with transverse bore	55	5	160	14	36	26	M8	26	M6	17,8	6,5	137	20	80	57	16,3
06276-12-160162056	silver	B	reamed hole with slot, with transverse bore	55	5	160	16	36	26	M8	26	M6	17,8	8	137	20	80	57	18,3
06276-12-12512104	black	C	reamed hole with slot	42	4	125	12	31	19,9	M6	20	-	17,6	-	105	18	56	49	13,8
06276-12-12514105	black	C	reamed hole with slot	42	5	125	14	31	19,9	M6	20	-	17,6	-	105	18	56	49	16,3
06276-12-16014105	black	C	reamed hole with slot	55	5	160	14	36	26	M8	26	-	17,8	-	137	20	80	57	16,3
06276-12-16016105	black	C	reamed hole with slot	55	5	160	16	36	26	M8	26	-	17,8	-	137	20	80	57	18,3
06276-12-12512204	silver	C	reamed hole with slot	42	4	125	12	31	19,9	M6	20	-	17,6	-	105	18	56	49	13,8
06276-12-12514205	silver	C	reamed hole with slot	42	5	125	14	31	19,9	M6	20	-	17,6	-	105	18	56	49	16,3
06276-12-16014205	silver	C	reamed hole with slot	55	5	160	14	36	26	M8	26	-	17,8	-	137	20	80	57	16,3
06276-12-16016205	silver	C	reamed hole with slot	55	5	160	16	36	26	M8	26	-	17,8	-	137	20	80	57	18,3
06276-12-125121	black	E	with reamed hole	42	-	125	12	31	19,9	M6	20	-	17,6	-	105	18	56	49	-
06276-12-125141	black	E	with reamed hole	42	-	125	14	31	19,9	M6	20	-	17,6	-	105	18	56	49	-
06276-12-160141	black	E	with reamed hole	55	-	160	14	36	26	M8	26	-	17,8	-	137	20	80	57	-
06276-12-160161	black	E	with reamed hole	55	-	160	16	36	26	M8	26	-	17,8	-	137	20	80	57	-
06276-12-125122	silver	E	with reamed hole	42	-	125	12	31	19,9	M6	20	-	17,6	-	105	18	56	49	-
06276-12-125142	silver	E	with reamed hole	42	-	125	14	31	19,9	M6	20	-	17,6	-	105	18	56	49	-
06276-12-160142	silver	E	with reamed hole	55	-	160	14	36	26	M8	26	-	17,8	-	137	20	80	57	-
06276-12-160162	silver	E	with reamed hole	55	-	160	16	36	26	M8	26	-	17,8	-	137	20	80	57	-