



Description

Material:

Steel 1.0503 (C45).

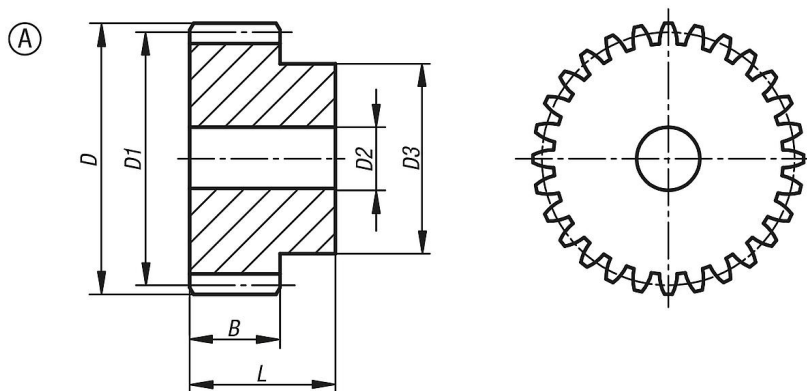
Version:

Milled tothing, straight teeth
Tothing inductively hardened to 50 +4 HRC.
engagement angle 20°, bright.

Note:

Hardening changes the tothing quality to ca. 10-11.
The spur gears have a centre or pilot hole.

Drawings



Overview of items

Order No.	Form	Form definition	Module	No. of teeth	B	D	D1	D2 max.	D3	L
22401-0125250012	A	with hub	2,5	12	25	35	30	10	22	45
22401-0125250015	A	with hub	2,5	15	25	42,5	37,5	10	30	45
22401-0125250018	A	with hub	2,5	18	25	50	45	12	35	45
22401-0125250020	A	with hub	2,5	20	25	55	50	12	40	45
22401-0125250024	A	with hub	2,5	24	25	65	60	14	45	45
22401-0125250025	A	with hub	2,5	25	25	67,5	62,5	14	50	45
22401-0125250030	A	with hub	2,5	30	25	80	75	14	55	45
22401-0125250036	A	with hub	2,5	36	25	95	90	16	60	45
22401-0125250040	A	with hub	2,5	40	25	105	100	16	70	45
22401-0125250050	A	with hub	2,5	50	25	130	125	20	80	45
22401-0125250060	A	with hub	2,5	60	25	155	150	20	100	45