

Item description/product images



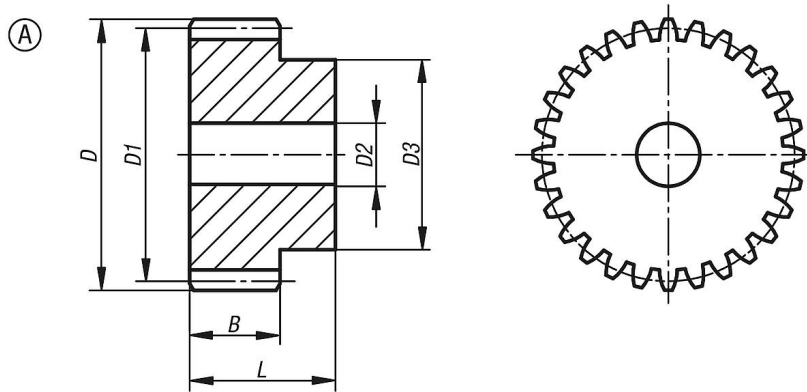
Description

Material:
Steel 1.0503 (C45).

Version:
Milled tooting, straight teeth
Tooting inductively hardened to 50 +4 HRC.
engagement angle 20°, bright.

Note:
Hardening changes the tooting quality to ca. 10-11.
The spur gears have a centre or pilot hole.

Drawings



Overview of items

Order No.	Form	Form definition	Module	No. of teeth	B	D	D1	D2 max.	D3	L
22401-0120200012	A	with hub	2	12	20	28	24	10	18	35
22401-0120200015	A	with hub	2	15	20	34	30	10	24	35
22401-0120200018	A	with hub	2	18	20	40	36	10	25	35
22401-0120200020	A	with hub	2	20	20	44	40	10	30	35
22401-0120200024	A	with hub	2	24	20	52	48	12	35	35
22401-0120200025	A	with hub	2	25	20	54	50	12	35	35
22401-0120200030	A	with hub	2	30	20	64	60	14	40	35
22401-0120200036	A	with hub	2	36	20	76	72	14	45	35
22401-0120200040	A	with hub	2	40	20	84	80	14	50	35
22401-0120200050	A	with hub	2	50	20	104	100	16	70	35
22401-0120200060	A	with hub	2	60	20	124	120	16	70	35