

Item description/product images



Description

Material:

Steel 1.0718.
Stainless steel 1.4305.

Version:

Steel black oxidised.
Screw 12.9 steel.
Stainless steel bright.
Screw A2-70 stainless steel.

Note:

One-piece shaft collars with an inner slit surround the shaft with an equal distribution of the clamping force. This leads to a very precise fit and high retaining force without damaging the shaft.

The shaft tolerance should lie within h11.

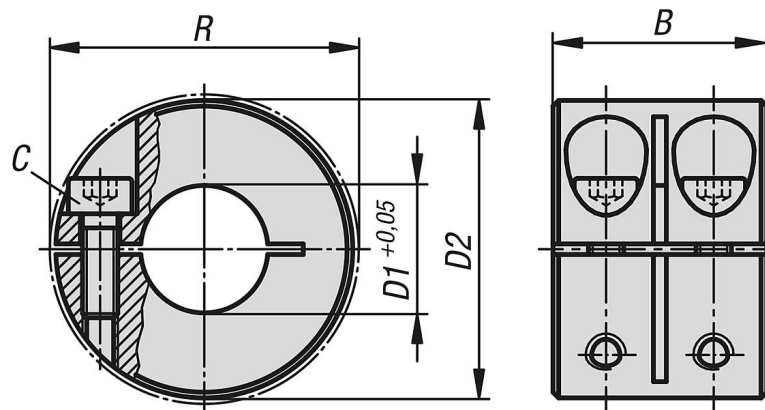
Temperature range:

-40 °C - +175 °C.

On request:

Other dimensions.

Drawings



Overview of items

Order No.	Form definition	Main material	B	C (DIN 912)	D1	D2	R
07811-00801	slitted inside	steel	20	M3x8	8	18	22,4
07811-01001	slitted inside	steel	20	M3x10	10	24	26
07811-01201	slitted inside	steel	24	M4x12	12	28	31,8
07811-01601	slitted inside	steel	29	M5x16	16	34	39,4
07811-02001	slitted inside	steel	33	M6x18	20	40	46,4
07811-02501	slitted inside	steel	33	M6x18	25	45	50,8
07811-03001	slitted inside	steel	33	M6x18	30	54	58,6
07811-04001	slitted inside	steel	33	M6x18	40	60	65
07811-05001	slitted inside	steel	41	M8x25	50	78	87
07811-00802	slitted inside	stainless steel	20	M3x8	8	18	22,4
07811-01002	slitted inside	stainless steel	20	M3x10	10	24	26
07811-01202	slitted inside	stainless steel	24	M4x12	12	28	31,8

Overview of items

Order No.	Form definition	Main material	B	C (DIN 912)	D1	D2	R
07811-01602	slitted inside	stainless steel	29	M5x16	16	34	39,4
07811-02002	slitted inside	stainless steel	33	M6x18	20	40	46,4
07811-02502	slitted inside	stainless steel	33	M6x18	25	45	50,8
07811-03002	slitted inside	stainless steel	33	M6x18	30	54	58,6
07811-04002	slitted inside	stainless steel	33	M6x18	40	60	65
07811-05002	slitted inside	stainless steel	41	M8x25	50	78	87