

Item description/product images

**Description****Material:**

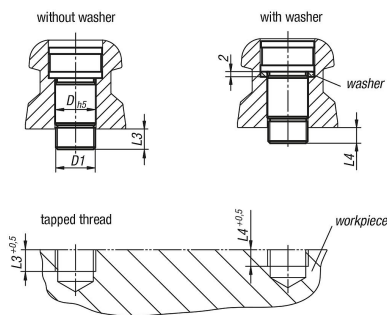
Carbon steel.

Version:

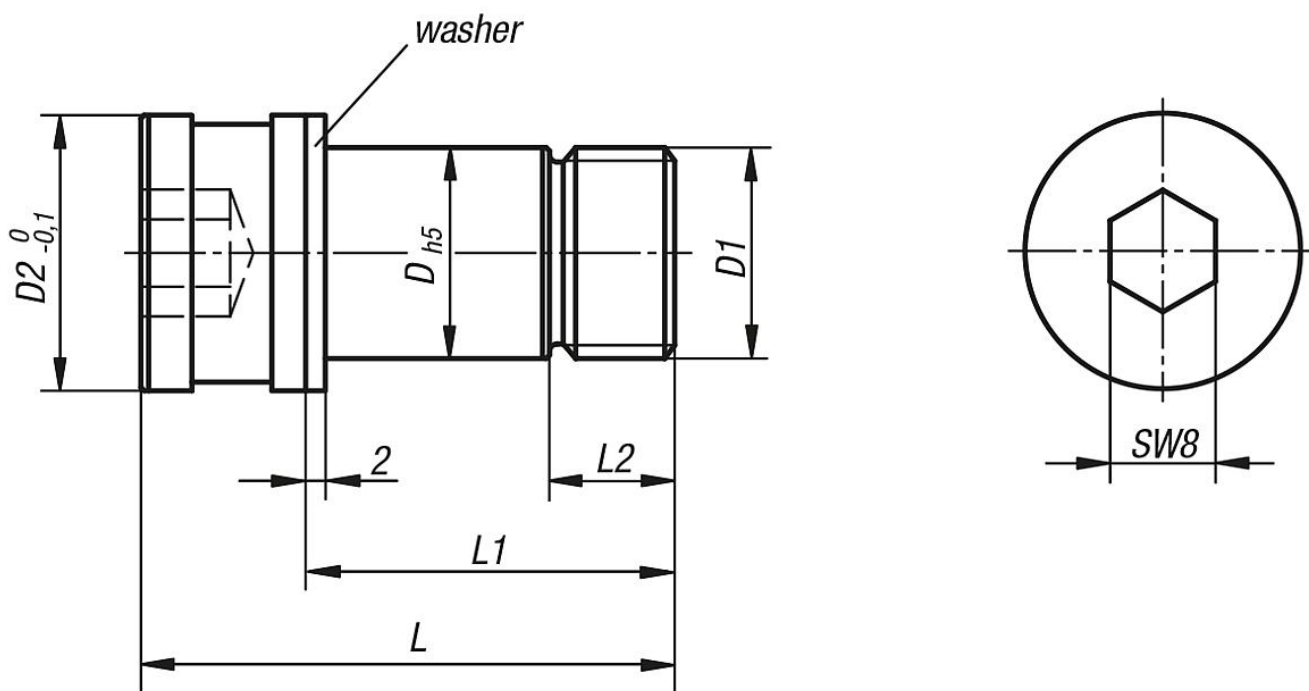
Hardened surface.
ground locating seat.

Note:

The UNILOCK 5-axis locating bolts for fastening to workpieces are suitable for clamping and positioning workpieces. These locating bolts are passed through the clamping bolts for fastening to workpieces, screwed directly into the workpiece and positioned on the basic module or add-on module. The thread is used for fastening and positioning the workpiece.



Drawings



Overview of items

Order No.	Version	D	D1	D2	L	L1	L2	L3	L4	Tightening torque max. Nm
42213-16101040	without washer	16	M10x1,5	20,9	40,5	28	8,5	7	-	47
42213-16121049	without washer	16	M12x1,75	20,9	50	37,5	18	17,5	-	75
42213-16121040	with washer	16	M12x1,75	20,9	40,5	28	9,5	8	-	63
42213-16161055	without washer	16	M16x2	20,9	58,5	43,5	24	23,5	-	100