

Item description/product images



Description

Material:

Housing thermoplastic.

Version:

Operating principle: RFID

Rating: IP67.

Note:

Actuator for RFID coded safety switch. If the actuator is within the switching range (safety door closed), the semiconductor outputs of the safety switch are activated.

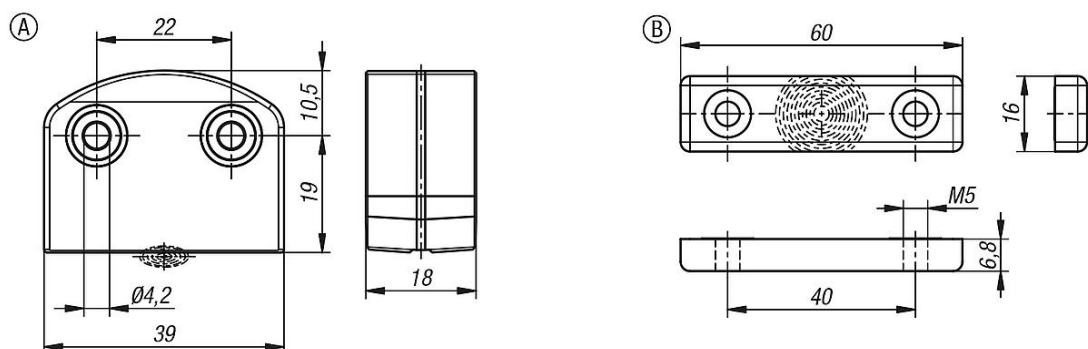
Temperature range:

-25 °C to +65 °C.

Accessory:

Safety switch RFID coded 83456.

Drawings



Overview of items

Order No.	Form	Form definition
83456-10-1	A	Standard
83456-10-2	B	compact