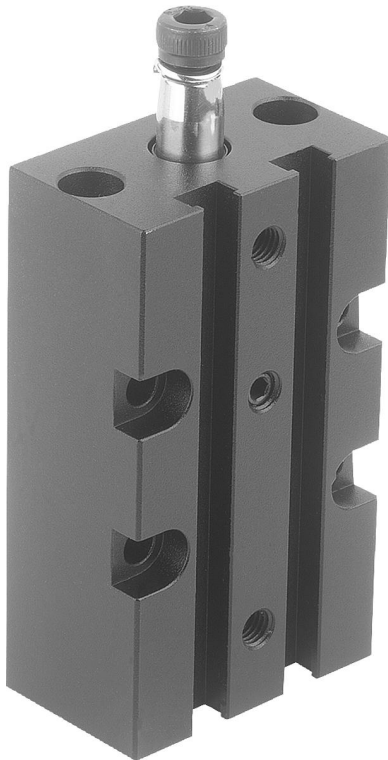


Item description/product images



Description

Material:

Body aluminium.

Double-acting piston rod stainless steel.

Version:

Body black anodised.

Note:

Swing clamps are used where low clamping forces suffice or where the clamping point must be free when mounting and removing the workpiece. The block form of the housing offers universal fastening possibilities. The magnetic piston is primed for electrical end position feedback.

Including screw and lock washer for fastening the clamping arms (accessories).

The swing action of the clamp should not be blocked.

F1 = at 6 bar (max. operating pressure).

On request:

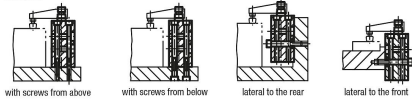
Proximity switch.

Accessory:

- Clamping arm 05620

- Adapter 05625

Examples:



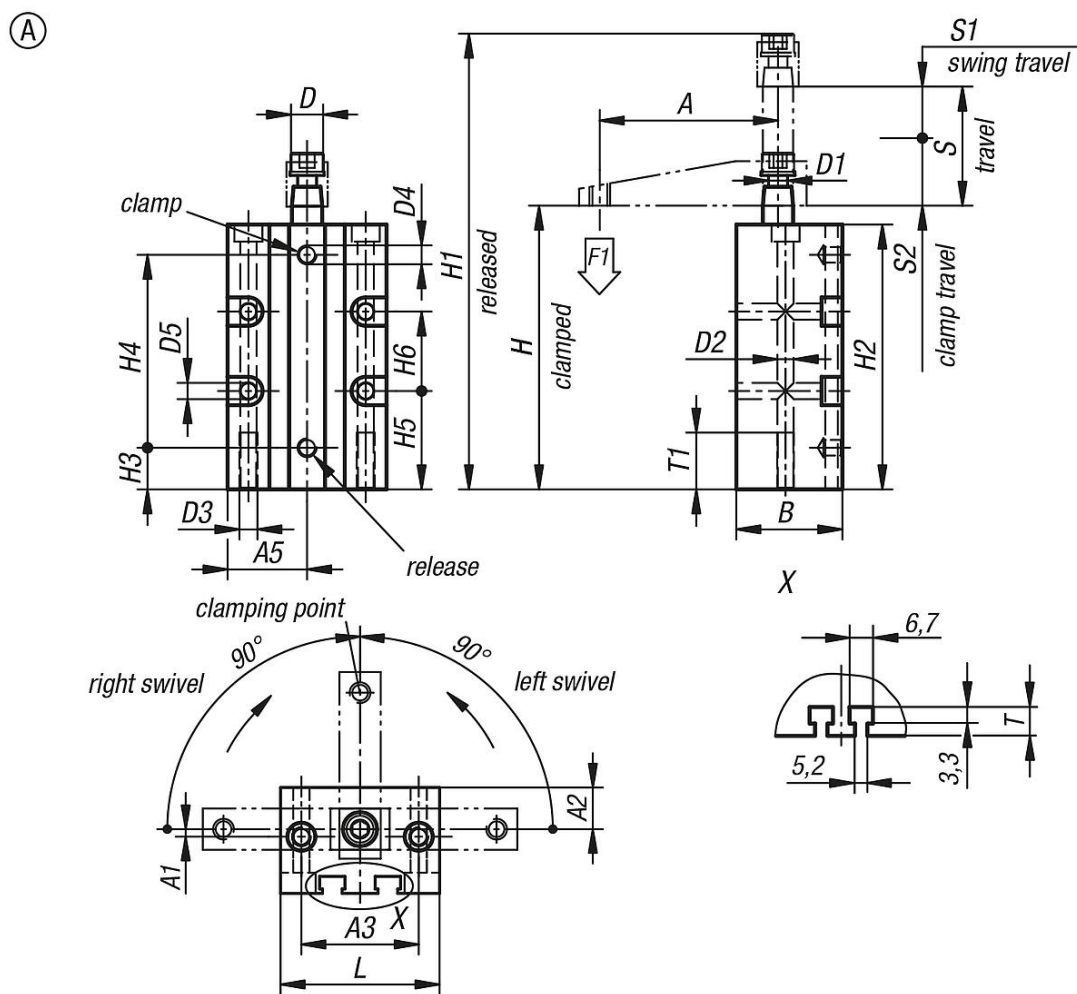
with screws from above

with screws from below

lateral to the rear

lateral to the front

Drawings



Overview of items

Order No.	Version 2	Form	Size	A	A1	A2	A3	A5	B	D	D1	D2	D3	D4	D5
05610-1121	swivel to the right	A	12	35	0	10	31	20	24	8	M5	4,3	M5	M5	4,3
05610-1161	swivel to the right	A	16	41	-2	11	31	21	28	8	M5	4,3	M5	M5	4,3
05610-2121	swivel to the left	A	12	35	0	10	31	20	24	8	M5	4,3	M5	M5	4,3
05610-2161	swivel to the left	A	16	41	-2	11	31	21	28	8	M5	4,3	M5	M5	4,3

Order No.	H	H1	H2	H3	H4	H5	H6	Travel S	L	S1	S2	T	T1	F1 N	Accessories
05610-1121	76	105	70	11	51	26	21	16	40	7	9	5	15	30	05620-12, 05625-1216
05610-1161	76	105	70	11	51	26	21	16	42	7	9	4,5	15	60	05620-16, 05625-1216
05610-2121	76	105	70	11	51	26	21	16	40	7	9	5	15	30	05620-12, 05625-1216
05610-2161	76	105	70	11	51	26	21	16	42	7	9	4,5	15	60	05620-16, 05625-1216