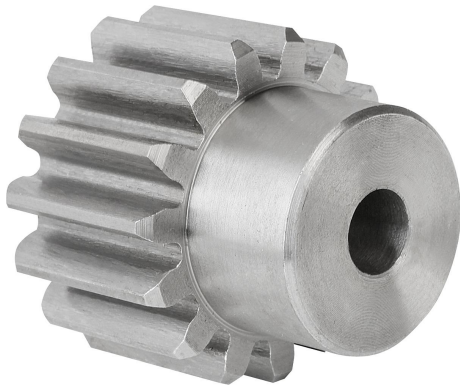


## Item description/product images



### Description

**Material:**

Steel 1.0503 (C45).

**Version:**

Milled tothing, straight teeth.  
Engagement angle 20°, bright.

**Note:**

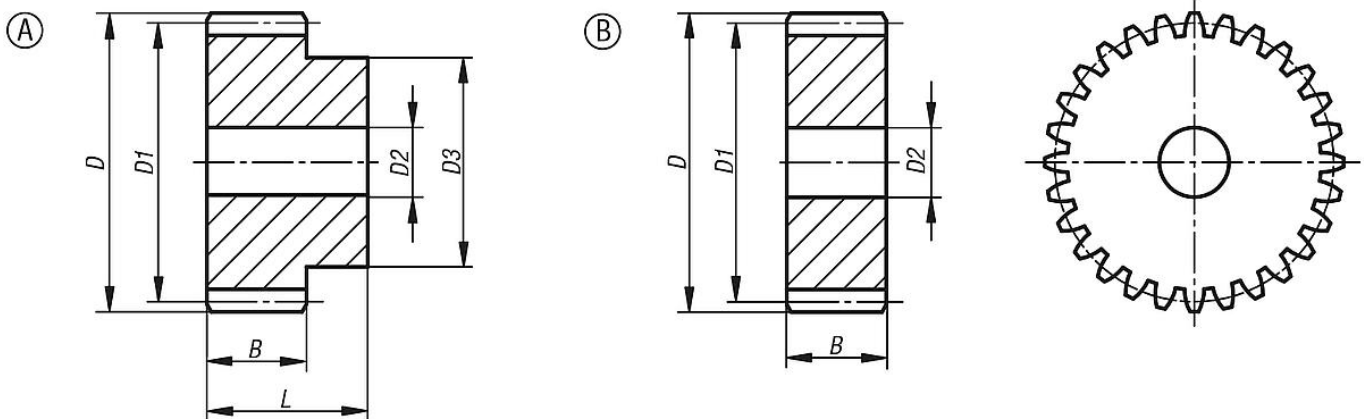
Up to 30 teeth with hub one side, from 32 teeth supplied as disc form. The spur gears have a centre bore or pilot hole (this can vary due to manufacturing methods). For this reason, the dimension D2 max. given in the table is the maximum diameter of the bore with which the spur gears are supplied. This pilot/centre bore can be amended by the customer to produce a reamed bore, reamed bore with keyway or a tapped hole. Alternatively, customers can also use bushes to reduce the bore diameter.

**Drawing reference:**

Form A: with hub

Form B: without hub

## Drawings



## Overview of items

Order No.	Form	B	D	D1	D2 max.	D3	L	Module	No. of teeth
22400-0150500012	A	50	70	60	20	45	75	5	12
22400-0150500013	A	50	75	65	20	50	75	5	13
22400-0150500014	A	50	80	70	20	55	75	5	14
22400-0150500015	A	50	85	75	20	60	75	5	15
22400-0150500016	A	50	90	80	20	65	75	5	16
22400-0150500017	A	50	95	85	20	70	75	5	17
22400-0150500018	A	50	100	90	20	70	75	5	18
22400-0150500019	A	50	105	95	20	70	75	5	19
22400-0150500020	A	50	110	100	20	80	75	5	20
22400-0150500021	A	50	115	105	20	80	75	5	21
22400-0150500022	A	50	120	110	20	80	75	5	22
22400-0150500023	A	50	125	115	20	90	75	5	23
22400-0150500024	A	50	130	120	20	90	75	5	24
22400-0150500025	A	50	135	125	20	90	75	5	25
22400-0150500026	A	50	140	130	20	100	75	5	26
22400-0150500027	A	50	145	135	20	100	75	5	27

## Overview of items

Order No.	Form	B	D	D1	D2 max.	D3	L	Module	No. of teeth
22400-0150500028	A	50	150	140	25	100	75	5	28
22400-0150500029	A	50	155	145	25	110	75	5	29
22400-0150500030	A	50	160	150	25	110	75	5	30
22400-0250500032	B	50	170	160	25	-	-	5	32
22400-0250500035	B	50	185	175	25	-	-	5	35
22400-0250500038	B	50	200	190	25	-	-	5	38
22400-0250500040	B	50	210	200	25	-	-	5	40
22400-0250500045	B	50	235	225	25	-	-	5	45
22400-0250500048	B	50	250	240	25	-	-	5	48
22400-0250500050	B	50	260	250	30	-	-	5	50
22400-0250500052	B	50	270	260	30	-	-	5	52
22400-0250500055	B	50	285	275	30	-	-	5	55
22400-0250500057	B	50	295	285	30	-	-	5	57
22400-0250500060	B	50	310	300	30	-	-	5	60
22400-0250500065	B	50	335	325	30	-	-	5	65
22400-0250500070	B	50	360	350	30	-	-	5	70
22400-0250500075	B	50	385	375	30	-	-	5	75
22400-0250500076	B	50	390	380	30	-	-	5	76
22400-0250500080	B	50	410	400	30	-	-	5	80
22400-0250500085	B	50	435	425	30	-	-	5	85
22400-0250500090	B	50	460	450	30	-	-	5	90
22400-0250500095	B	50	485	475	30	-	-	5	95
22400-0250500100	B	50	510	500	30	-	-	5	100
22400-0250500110	B	50	560	550	30	-	-	5	110
22400-0250500114	B	50	580	570	30	-	-	5	114