

Item description/product images

INCH
Parts

Description

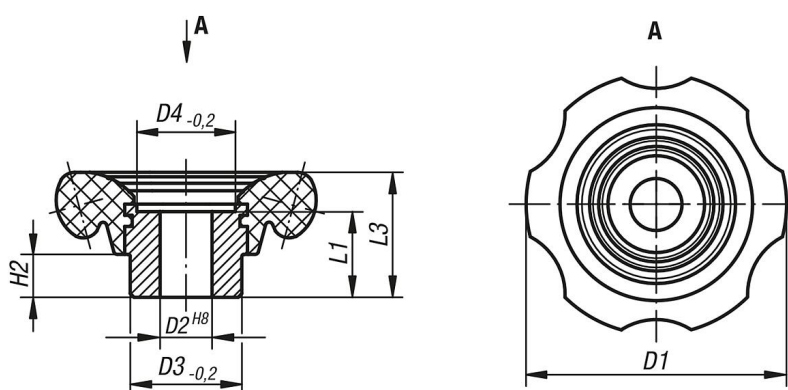
Material:

Handwheel thermoset PF 31.
Bush steel, black oxidised.

Version:

High-gloss polished, black.

Drawings



Overview of items

Order No.	Version 1	D1	D2	D3	D4	H2	L1	L3
06830-702C0	reamed hole	70	0,375	30	26,5	11,5	23	33,5
06830-702CP	reamed hole	70	0,5	30	26,5	11,5	23	33,5
06830-832CP	reamed hole	83	0,5	35	31,5	14	28	40
06830-832CQ	reamed hole	83	0,625	35	31,5	14	28	40