

Item description/product images



Description

Material:

Brass.

Lamellar insert polyamide (PA6).

Seal ring CR / NBR.

O-ring NBR.

Version:

nickel-plated.

Note:

Cable glands with DIN EN 60423 metric threads. Sealing and tension relief are provided by internal lamellae and a seal ring.

Rated IP68 (5 bar - 30 min).

Cable glands are used to route permanently laid cables and lines in housings, distributors and junction boxes.

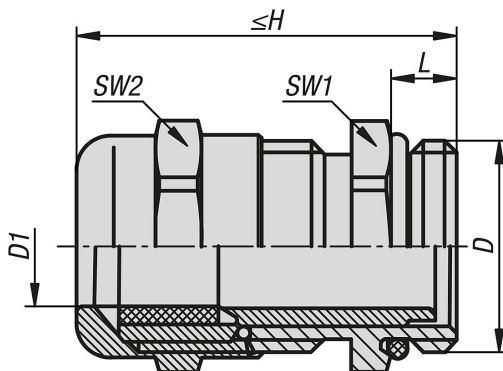
Discolouration may occur on the contact face of cable glands with flat seals. This does not impair the function of the component and is not visible when installed.

Temperature range:

Static: -40 °C to +100 °C.

Dynamic: -20 °C to +100 °C.

Drawings



Overview of items

Order No.	D	D1	H max.	L	SW1	SW2	Max. tightening torque on SW1 Nm	Max. tightening torque on SW2 Nm
84100-05-12150	M12X1,5	3-6	25	5	14	14	3,5	3,5
84100-05-16150	M16x1,5	5-9	29	5	17	17	3,5	3,5
84100-05-20150	M20X1,5	9-13	33	6	22	22	3,5	3,5
84100-05-25150	M25x1,5	11-16	35	7	27	27	6,7	6,7
84100-05-32150	M32x1,5	14-20	42	8	34	34	12	12
84100-05-40150	M40X1,5	19-27	42	8	43	43	13,5	13,5

