

Item description/product images

**Description****Material:**

Grip thermoplastic.

Bush and threaded pin steel grade 5.8 or stainless steel 1.4305.

Version:

Grip black grey RAL 7021 or red similar to RAL 3020.

Steel parts trivalent blue passivated.

Stainless steel bright.

Note:

Lockable five lobe grips prevent unauthorised loosening of the screw connection.

The cylinder lock forms a positive lock between grip and screw.

When unlocked the grip rotates freely without driving the screw, preventing unauthorised opening of the screw connection.

The lockable five lobe grips are supplied with 2 keys each.

The key can be removed in the open and closed position.

The locks are a single-key system, i.e. the same key works in all locks.

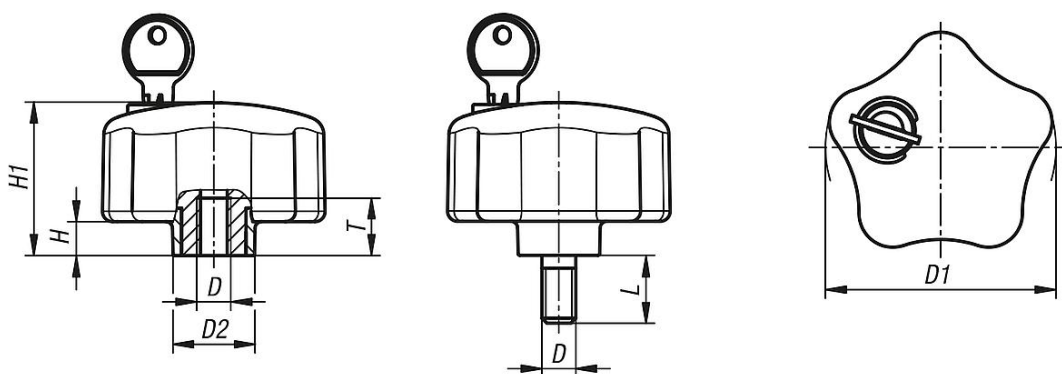
On request:

Other versions.

Item description/product images



Drawings



Overview of items

Order No.	Main colour	Component material	D	D1	D2	H	H1	L	T
06852-6806	black grey	steel	M6	68	24	10	45,5	-	17
06852-6808	black grey	steel	M8	68	24	10	45,5	-	17
06852-6810	black grey	steel	M10	68	24	10	45,5	-	17
06852-06806	black grey	stainless steel	M6	68	24	10	45,5	-	17
06852-06808	black grey	stainless steel	M8	68	24	10	45,5	-	17
06852-06810	black grey	stainless steel	M10	68	24	10	45,5	-	17
06852-846806	red	steel	M6	68	24	10	45,5	-	17
06852-846808	red	steel	M8	68	24	10	45,5	-	17
06852-846810	red	steel	M10	68	24	10	45,5	-	17
06852-0846806	red	stainless steel	M6	68	24	10	45,5	-	17
06852-0846808	red	stainless steel	M8	68	24	10	45,5	-	17
06852-0846810	red	stainless steel	M10	68	24	10	45,5	-	17
06852-6808X20	black grey	steel	M8	68	24	10	45,5	20	-
06852-6810X20	black grey	steel	M10	68	24	10	45,5	20	-
06852-06808X20	black grey	stainless steel	M8	68	24	10	45,5	20	-
06852-06810X20	black grey	stainless steel	M10	68	24	10	45,5	20	-
06852-846808X20	red	steel	M8	68	24	10	45,5	20	-
06852-846810X20	red	steel	M10	68	24	10	45,5	20	-
06852-0846808X20	red	stainless steel	M8	68	24	10	45,5	20	-
06852-0846810X20	red	stainless steel	M10	68	24	10	45,5	20	-

