

## Item description/product images



## Description

**Material:**

Steel or 1.4305 stainless steel

**Version:**

Steel grade 8.8, black oxidised.

Stainless steel bright.

**Note:**

Eye bolts with thread up to the eye.

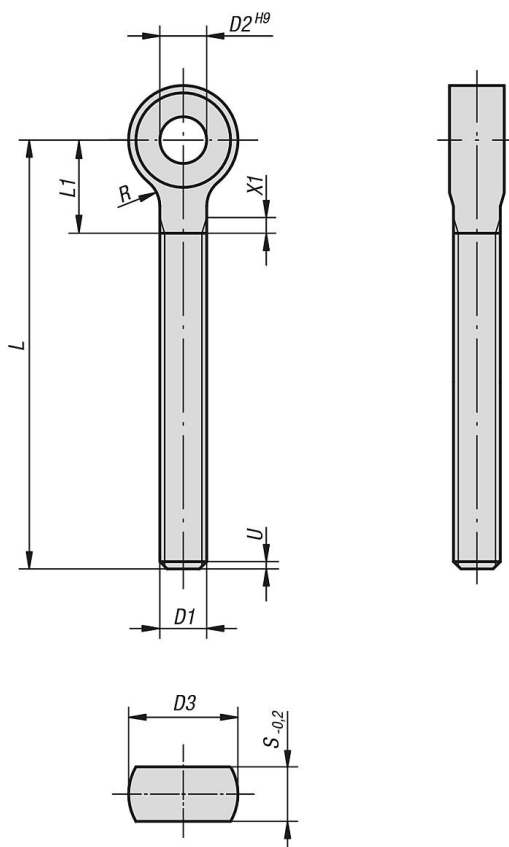
Suitable hinge pin, see 04250.

**Drawing reference:**

U = max. 2 P (incomplete thread)

X1 = to DIN 76 part 1

## Drawings



## Overview of items

Order No.	Main material	D1	D2	D3	L	L1 max.	R	S
07181-0650	steel	M6	6	14	50	14	4	7
07181-0660	steel	M6	6	14	60	14	4	7
07181-0670	steel	M6	6	14	70	14	4	7
07181-0680	steel	M6	6	14	80	14	4	7
07181-0850	steel	M8	8	18	50	16	4	9
07181-0860	steel	M8	8	18	60	16	4	9
07181-0870	steel	M8	8	18	70	16	4	9

## Overview of items

Order No.	Main material	D1	D2	D3	L	L1 max.	R	S
07181-0880	steel	M8	8	18	80	16	4	9
07181-08100	steel	M8	8	18	100	16	4	9
07181-1050	steel	M10	10	20	50	18	4	12
07181-1060	steel	M10	10	20	60	18	4	12
07181-1070	steel	M10	10	20	70	18	4	12
07181-1080	steel	M10	10	20	80	18	4	12
07181-10100	steel	M10	10	20	100	18	4	12
07181-10120	steel	M10	10	20	120	18	4	12
07181-1250	steel	M12	12	25	50	23	6	14
07181-1260	steel	M12	12	25	60	23	6	14
07181-1270	steel	M12	12	25	70	23	6	14
07181-1280	steel	M12	12	25	80	23	6	14
07181-12100	steel	M12	12	25	100	23	6	14
07181-12120	steel	M12	12	25	120	23	6	14
07181-12130	steel	M12	12	25	130	23	6	14
07181-1670	steel	M16	16	32	70	27	6	17
07181-1680	steel	M16	16	32	80	27	6	17
07181-16100	steel	M16	16	32	100	27	6	17
07181-16120	steel	M16	16	32	120	27	6	17
07181-16140	steel	M16	16	32	140	27	6	17
07181-16160	steel	M16	16	32	160	27	6	17
07181-20100	steel	M20	18	40	100	32	6	22
07181-20120	steel	M20	18	40	120	32	6	22
07181-20140	steel	M20	18	40	140	32	6	22
07181-20160	steel	M20	18	40	160	32	6	22
07181-24160	steel	M24	22	45	160	40	10	25
07181-24240	steel	M24	22	45	240	40	10	25
07181-10650	stainless steel	M6	6	14	50	14	4	7
07181-10660	stainless steel	M6	6	14	60	14	4	7
07181-10670	stainless steel	M6	6	14	70	14	4	7
07181-10680	stainless steel	M6	6	14	80	14	4	7
07181-10850	stainless steel	M8	8	18	50	16	4	9
07181-10860	stainless steel	M8	8	18	60	16	4	9
07181-10870	stainless steel	M8	8	18	70	16	4	9
07181-10880	stainless steel	M8	8	18	80	16	4	9
07181-108100	stainless steel	M8	8	18	100	16	4	9
07181-11050	stainless steel	M10	10	20	50	18	4	12
07181-11060	stainless steel	M10	10	20	60	18	4	12
07181-11070	stainless steel	M10	10	20	70	18	4	12
07181-11080	stainless steel	M10	10	20	80	18	4	12
07181-110100	stainless steel	M10	10	20	100	18	4	12
07181-110120	stainless steel	M10	10	20	120	18	4	12
07181-11250	stainless steel	M12	12	25	50	23	6	14
07181-11260	stainless steel	M12	12	25	60	23	6	14
07181-11270	stainless steel	M12	12	25	70	23	6	14
07181-11280	stainless steel	M12	12	25	80	23	6	14
07181-112100	stainless steel	M12	12	25	100	23	6	14
07181-112120	stainless steel	M12	12	25	120	23	6	14
07181-112130	stainless steel	M12	12	25	130	23	6	14
07181-11670	stainless steel	M16	16	32	70	27	6	17
07181-11680	stainless steel	M16	16	32	80	27	6	17
07181-116100	stainless steel	M16	16	32	100	27	6	17
07181-116120	stainless steel	M16	16	32	120	27	6	17
07181-116140	stainless steel	M16	16	32	140	27	6	17
07181-116160	stainless steel	M16	16	32	160	27	6	17
07181-120100	stainless steel	M20	18	40	100	32	6	22
07181-120120	stainless steel	M20	18	40	120	32	6	22
07181-120140	stainless steel	M20	18	40	140	32	6	22
07181-120160	stainless steel	M20	18	40	160	32	6	22

