

Item description/product images



Description

Material:

Housing, steel.
Magnetic core hard ferrite.

Version:

Housing, electro zinc-plated.

Note:

Shielded system.

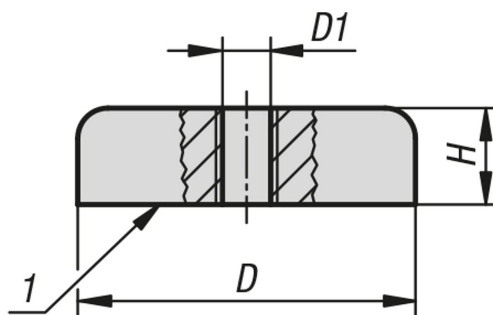
Temperature range:

max. 200°C.

Drawing reference:

1) magnetic face

Drawings



Overview of items

Order No.	D	D1	H	Magnetic force N
09072-10-2504	25 ±0,15	M4	7	36
09072-10-3204	32 ±0,2	M4	7	75
09072-10-4004	40 ±0,2	M4	8	90
09072-10-5006	50 ±0,2	M6	10	170
09072-10-5008	50 ±0,2	M8	10	170
09072-10-6308	63 ±0,2	M8	14	290
09072-10-8008	80 ±0,25	M8	18	550
09072-10-8010	80 ±0,25	M10	18	550