

Item description/product images



Description

Product description:

The fine adjustment enables the distance between the workpiece and support table to be precisely set. If required, the fine adjustment can be used to set the workpiece stabiliser under tensile or compressive load.

Material:

Steel.

Version:

Adapter piece black oxidised.

Half shells nitrided.

Note:

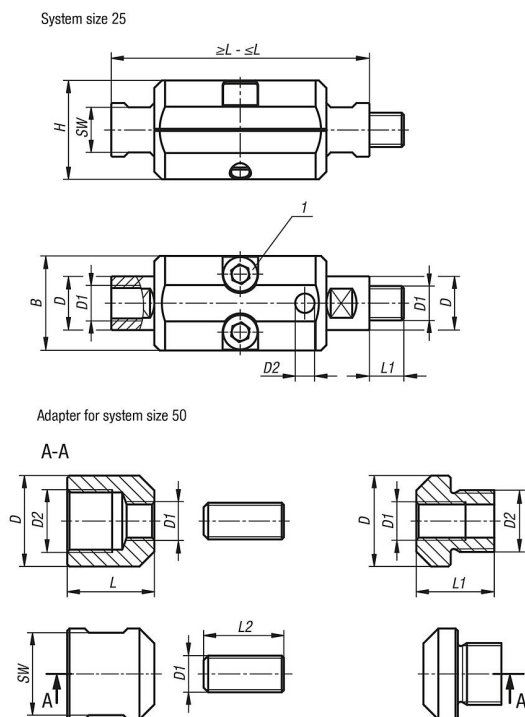
Only the fine adjuster 02402-25120150 is required for workpiece stabiliser system size 25.

When using fine adjustment on the workpiece stabiliser system size 50, the fine adjuster 02402-25120150 and the adapter 02402-50 (consisting of 2 adapter pieces and a grub screw) are required at the respective ends.

Drawing reference:

1) DIN EN ISO 4762 M10 cap screw

Drawings



Overview of items

Order No.	Item	Size	B	D	D1	D2	H	L	L	L	L1	L2	SW
								min.	max.				
02402-25120150	Fine Adjustment	25	44	25	M16x1,5	9	46	120	150	-	16	-	21
02402-50	Adapter	50	-	39,7	M16x1,5	M27x2	-	-	-	38	34	35	36

