

Item description/product images



Description

**Material:**  
Steel.

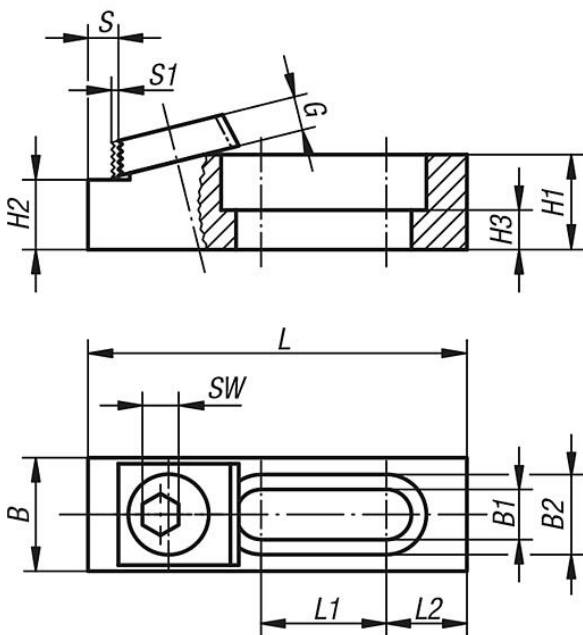
**Version:**  
Body tempered, black oxidised, riser faces ground.  
Square washer case hardened and brass-plated.

**Note:**  
Also called multi-fixture clamps and stops.  
Cost-effective custom made clamping fixtures can be produced using the adjustable riser cam clamps together with the matching riser stops.

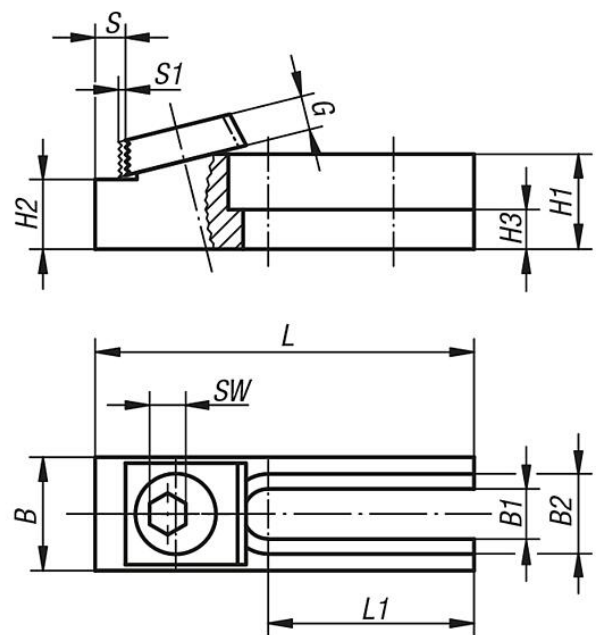
**On request:**  
Replacement cam screws.

Drawings

04444-08, 04444-12



04444-16



Overview of items

Order No.	suitable fastening screw	L	L1	L2	B	B1	B2	H1	H2	H3	S	S1	G	SW	Long hole	Clamping force kN	Tightening torque max. Nm	Accessories NLM
04444-08	M8	63,5	21	13,5	19	8,4	13,4	15,9	11,684 -0,013	6,6	6,3	1,2	5,3	7	closed	8,9	28	04521-10-1013
04444-12	M12	95,1	42,7	12,7	28,5	13	19,8	15,9	12,192 -0,013	6,9	7,1	2	9,5	8	closed	17,8	88	04521-10-1216
04444-16	M16	107	46,3	-	38	17	24,8	41	35,001 -0,013	21	8,3	2,5	12,7	12	open	26,7	135	04521-10-1624

