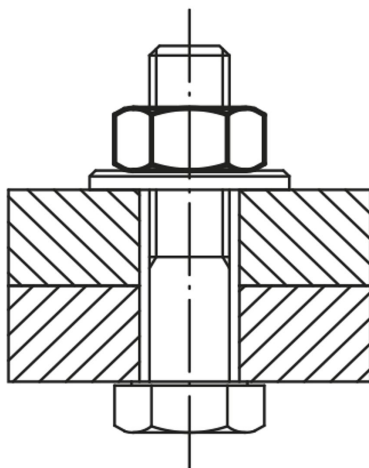


Item description/product images



Description

Material:

Steel, stainless steel A2 or stainless steel A4.

Version:

Steel grade 8, bright (blackened) or electro zinc-plated.
 Steel grade 10, bright (blackened) or electro zinc-plated.
 Steel grade 12, bright (blackened).
 Stainless steel A2-70, bright
 Stainless steel A4-70, bright

Note:

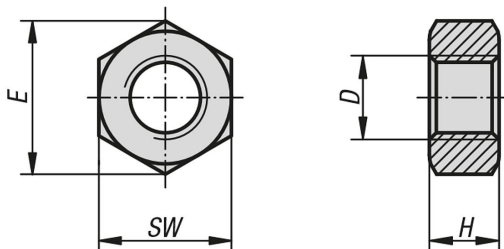
The grade of a nut must always be the same or higher than the grade of a bolt. That is, bolts in grade 8.8 are always paired with a nut in grade 8 (or higher, but never lower).

The maximum nut height H max. is shown in the table.

On request:

DIN ISO 272 spanner sizes.

Drawings



Overview of items

Order No.	Material	Grade	Surface finish body	D	E	H	SW
07210-03	steel	8	bright (black)	M3	6,01	2,4	5,5
07210-04	steel	8	bright (black)	M4	7,66	3,2	7
07210-05	steel	8	bright (black)	M5	8,79	4	8
07210-06	steel	8	bright (black)	M6	11,05	5	10
07210-08	steel	8	bright (black)	M8	14,38	6,5	13
07210-10	steel	8	bright (black)	M10	18,9	8	17
07210-12	steel	8	bright (black)	M12	21,1	10	19
07210-14	steel	8	bright (black)	M14	23,9	11	22
07210-16	steel	8	bright (black)	M16	26,76	13	24
07210-20	steel	8	bright (black)	M20	32,95	16	30
07210-22	steel	8	bright (black)	M22	35	18	32
07210-24	steel	8	bright (black)	M24	39,6	19	36
07210-27	steel	8	bright (black)	M27	45,2	22	41
07210-30	steel	8	bright (black)	M30	50,9	24	46
07210-33	steel	8	bright (black)	M33	55,4	26	50
07210-36	steel	8	bright (black)	M36	60,8	29	55
07210-203	steel	8	galvanised	M3	6,01	2,4	5,5
07210-204	steel	8	galvanised	M4	7,66	3,2	7

Overview of items

Order No.	Material	Grade	Surface finish body	D	E	H	SW
07210-205	steel	8	galvanised	M5	8,79	4	8
07210-206	steel	8	galvanised	M6	11,05	5	10
07210-208	steel	8	galvanised	M8	14,38	6,5	13
07210-210	steel	8	galvanised	M10	18,9	8	17
07210-212	steel	8	galvanised	M12	21,1	10	19
07210-214	steel	8	galvanised	M14	23,9	11	22
07210-216	steel	8	galvanised	M16	26,76	13	24
07210-220	steel	8	galvanised	M20	32,95	16	30
07210-222	steel	8	galvanised	M22	35	18	32
07210-224	steel	8	galvanised	M24	39,6	19	36
07210-227	steel	8	galvanised	M27	45,2	22	41
07210-230	steel	8	galvanised	M30	50,9	24	46
07210-233	steel	8	galvanised	M33	55,4	26	50
07210-236	steel	8	galvanised	M36	60,8	29	55
07210-403	steel	10	bright (black)	M3	6,01	2,4	5,5
07210-404	steel	10	bright (black)	M4	7,66	3,2	7
07210-405	steel	10	bright (black)	M5	8,79	4	8
07210-406	steel	10	bright (black)	M6	11,05	5	10
07210-408	steel	10	bright (black)	M8	14,38	6,5	13
07210-410	steel	10	bright (black)	M10	18,9	8	17
07210-412	steel	10	bright (black)	M12	21,1	10	19
07210-414	steel	10	bright (black)	M14	23,9	11	22
07210-416	steel	10	bright (black)	M16	26,76	13	24
07210-420	steel	10	bright (black)	M20	32,95	16	30
07210-422	steel	10	bright (black)	M22	35	18	32
07210-424	steel	10	bright (black)	M24	39,6	19	36
07210-427	steel	10	bright (black)	M27	45,2	22	41
07210-430	steel	10	bright (black)	M30	50,9	24	46
07210-433	steel	10	bright (black)	M33	55,4	26	50
07210-436	steel	10	bright (black)	M36	60,8	29	55
07210-304	steel	10	galvanised	M4	7,66	3,2	7
07210-305	steel	10	galvanised	M5	8,79	4	8
07210-306	steel	10	galvanised	M6	11,05	5	10
07210-308	steel	10	galvanised	M8	14,38	6,5	13
07210-310	steel	10	galvanised	M10	18,9	8	17
07210-312	steel	10	galvanised	M12	21,1	10	19
07210-314	steel	10	galvanised	M14	23,9	11	22
07210-316	steel	10	galvanised	M16	26,76	13	24
07210-320	steel	10	galvanised	M20	32,95	16	30
07210-322	steel	10	galvanised	M22	35	18	32
07210-324	steel	10	galvanised	M24	39,6	19	36
07210-327	steel	10	galvanised	M27	45,2	22	41
07210-330	steel	10	galvanised	M30	50,9	24	46
07210-333	steel	10	galvanised	M33	55,4	26	50
07210-336	steel	10	galvanised	M36	60,8	29	55
07210-506	steel	12	bright (black)	M6	11,05	5	10
07210-508	steel	12	bright (black)	M8	14,38	6,5	13
07210-510	steel	12	bright (black)	M10	18,9	8	17
07210-512	steel	12	bright (black)	M12	21,1	10	19
07210-516	steel	12	bright (black)	M16	26,76	13	24
07210-520	steel	12	bright (black)	M20	32,95	16	30
07210-524	steel	12	bright (black)	M24	39,6	19	36
07210-527	steel	12	bright (black)	M27	45,2	22	41
07210-530	steel	12	bright (black)	M30	50,9	24	46
07210-536	steel	12	bright (black)	M36	60,8	29	55
07210-103	stainless steel A2	70	bright	M3	6,01	2,4	5,5
07210-104	stainless steel A2	70	bright	M4	7,66	3,2	7
07210-105	stainless steel A2	70	bright	M5	8,79	4	8
07210-106	stainless steel A2	70	bright	M6	11,05	5	10
07210-108	stainless steel A2	70	bright	M8	14,38	6,5	13
07210-110	stainless steel A2	70	bright	M10	18,9	8	17
07210-112	stainless steel A2	70	bright	M12	21,1	10	19
07210-114	stainless steel A2	70	bright	M14	23,9	11	22
07210-116	stainless steel A2	70	bright	M16	26,76	13	24
07210-120	stainless steel A2	70	bright	M20	32,95	16	30

Overview of items

Order No.	Material	Grade	Surface finish body	D	E	H	SW
07210-122	stainless steel A2	70	bright	M22	35	18	32
07210-124	stainless steel A2	70	bright	M24	39,6	19	36
07210-127	stainless steel A2	70	bright	M27	45,2	22	41
07210-130	stainless steel A2	70	bright	M30	50,9	24	46
07210-133	stainless steel A2	70	bright	M33	55,4	26	50
07210-136	stainless steel A2	70	bright	M36	60,8	29	55
07210-603	stainless steel A4	70	bright	M3	6,01	2,4	5,5
07210-604	stainless steel A4	70	bright	M4	7,66	3,2	7
07210-605	stainless steel A4	70	bright	M5	8,79	4	8
07210-606	stainless steel A4	70	bright	M6	11,05	5	10
07210-608	stainless steel A4	70	bright	M8	14,38	6,5	13
07210-610	stainless steel A4	70	bright	M10	18,9	8	17
07210-612	stainless steel A4	70	bright	M12	21,1	10	19
07210-614	stainless steel A4	70	bright	M14	23,9	11	22
07210-616	stainless steel A4	70	bright	M16	26,76	13	24
07210-620	stainless steel A4	70	bright	M20	32,95	16	30
07210-622	stainless steel A4	70	bright	M22	35	18	32
07210-624	stainless steel A4	70	bright	M24	39,6	19	36
07210-627	stainless steel A4	70	bright	M27	45,2	22	41
07210-630	stainless steel A4	70	bright	M30	50,9	24	46
07210-633	stainless steel A4	70	bright	M33	55,4	26	50
07210-636	stainless steel A4	70	bright	M36	60,8	29	55