

Item description/product images



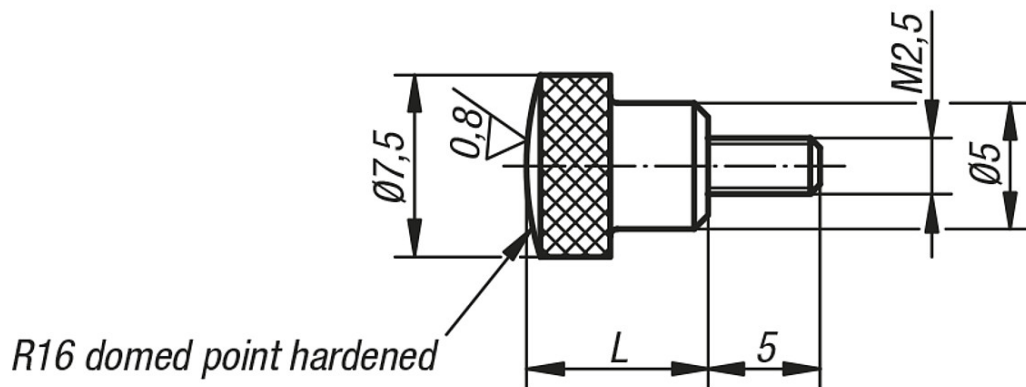
Description

Material:
Steel.

Version:
Hardened, black oxidised.

Note:
Dial gauges see 32540 and 32542.

Drawings



Overview of items

Order No.	L
33048-025080	8