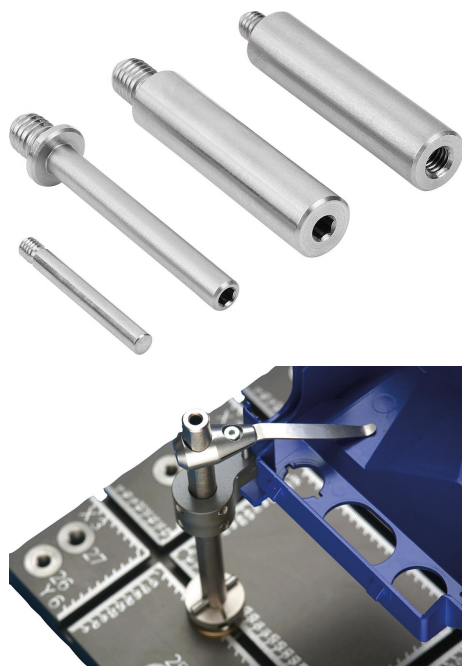


Item description/product images



Description

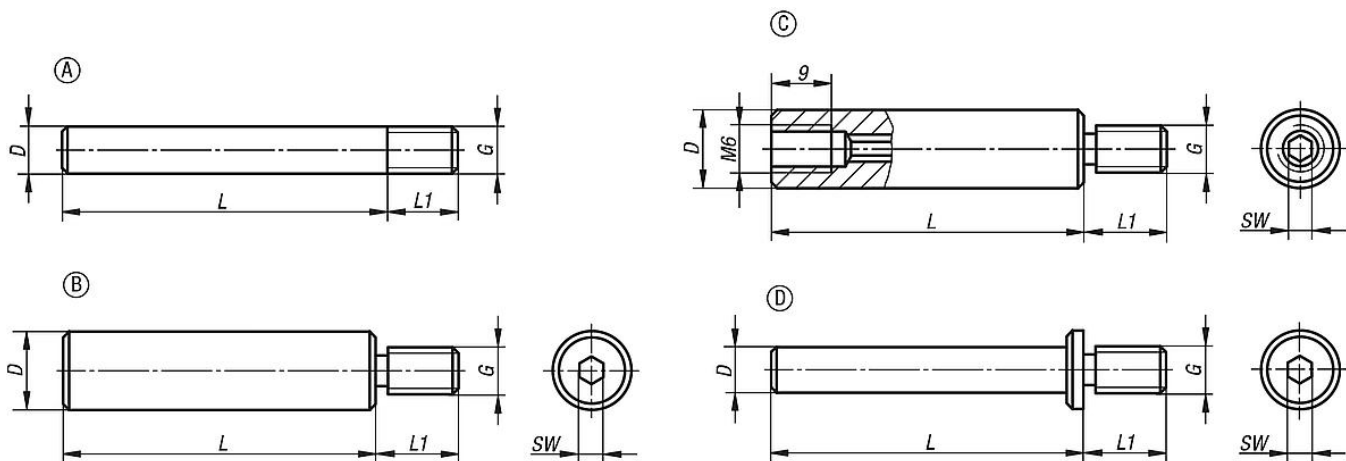
Material:
Stainless steel 1.4301.

Version:
Bright.

Note:
Columns for holding our spring fingers.

Accessory:
Spring clamp 33260.

Drawings



Overview of items

Order No.	Form	D	G	L	L1	SW
33262-0404X030	A	4	M4	30	5	-
33262-0404X050	A	4	M4	50	5	-
33262-0606X030	A	6	M6	30	8	-
33262-0606X050	A	6	M6	50	8	-
33262-0608X030	D	6	M8	30	10	3
33262-0608X050	D	6	M8	50	10	3
33262-1206X050	C	12	M6	50	8	3
33262-1206X100	C	12	M6	100	8	3
33262-1208X050	B	12	M8	50	11,5	4
33262-1208X100	B	12	M8	100	11,5	4
33262-1210X050	B	12	M10	50	11,5	4
33262-1210X100	B	12	M10	100	11,5	4
33262-1210X150	B	12	M10	150	11,5	4

