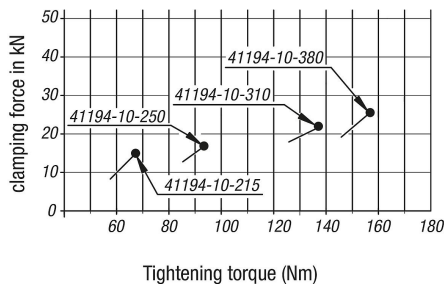
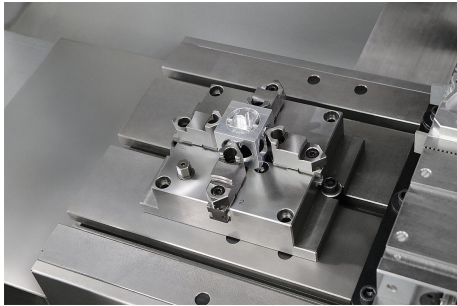
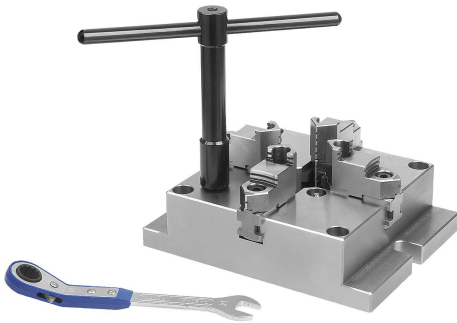


Item description/product images



Description

Product description:

Stationary 4-jaw chucks are especially suitable for centric workpiece holding on drilling and milling machines. The flexible arrangement of the hard and soft jaws enable diverse sizes and shapes of workpieces to be easily held on the outside or inside faces.

Material:

Steel.

Version:

Contact faces on base ground.

Jaw plates hardened, ground.

Note:

Take note of the jaw numbers when mounting.

The chucks are precision ground. The W, X, Y, Z tolerances between the jaws is within 0.05 mm.

The repeat accuracy by centric clamping with hard jaws is within 0.02 mm.

The moveable jaw bases are driven by the internal scroll plate.

The rotation of the pinion transfers the force over the scroll plate to the jaw bases and generates a synchronous movement of the jaws inwards or outwards.

Inadequate lubrication leads to excessive wear and reduction of the clamping force. Please ensure regular lubrication intervals.

Advantages:

The repeat accuracy by centric clamping is 0.02 mm.

Flat design.

For drilling and milling machines.

The body is precision ground.

Optimum accessibility to the lubrication system.

Wide chuck bore for holding bar material.

Actuated using a hex key. Quick and easy to operation.

Soft jaws can also be attached to the jaw bases.

Supplied with:

Tightening key.

Accessory:

41194-15 Steel jaws, soft

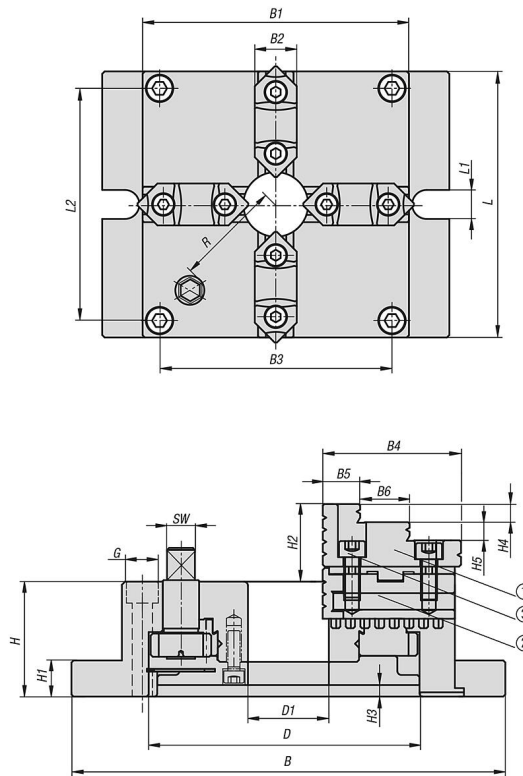
Drawing reference:

1) Reversible jaw

2) Standard jaws

3) Fastening screws

Drawings



Overview of items

Order No.	L	L1	L2	B	B1	B2	B3	B4	B5	B6	D	D1	G for socket head screw	H	H1	H2
41194-10-215	165	18	144	215	165	26	144	68	18,5	24,5	130	40	M10	57	18	39
41194-10-250	200	18	174	250	200	28	174	82	23	27,9	160	55	M12	65	20	43
41194-10-310	250	18	218	310	250	32	218	93	24,9	32,5	200	70	M14	72	22	50
41194-10-380	310	22	274	380	310	40	274	117	31,2	40,6	260	100	M16	85	25	56

Order No.	H3	H4	H5	SW	R	Outer clamping range	Inner clamping range	Tightening torque max. Nm	Clamping force F (kN)	Accessories
41194-10-215	5,5	9	9	14	66	4-128	55-128	68	15	41194-15-2154
41194-10-250	6	10	10	17	83	5-162	62-162	93	18	41194-15-2504
41194-10-310	6	12	12	21	104	6-200	72-200	137	22	41194-15-3104
41194-10-380	7	15	15	23	135	10-265	90-265	156	25	41194-15-3804