

## Item description/product images



by MARTIN

Levelling Components

## Description

### Material:

Sleeve stainless steel 1.4301.  
Rubber seal silicon, FDA certified.

### Version:

Sleeve high-gloss polished.  
Rubber seal, blue.

### Note:

Certified according to 3-A Sanitary Standard.  
The thread cover caps protruding external threads and thus protects them from dirt.  
The high surface finish quality prevents dirt from adhering and reduces cleaning times to a minimum.

### Application:

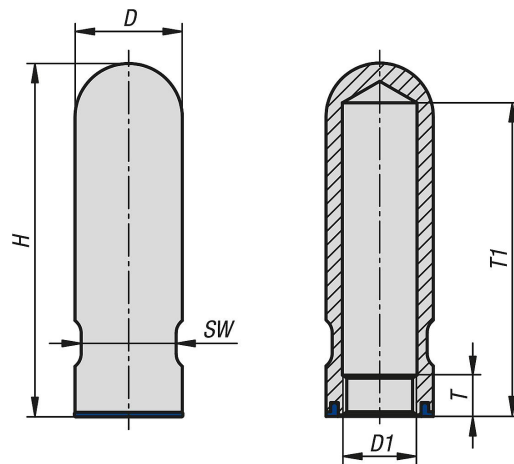
The thread cover is particularly suitable for machines, plants and appliances in the foodstuff, brewery, dairy, beverage and pharmaceutical industries.

### Accessory:

Levelling feet 27791-05.



## Drawings



## Overview of items

| Order No.        | D  | D1  | H   | T  | T1  | SW |
|------------------|----|-----|-----|----|-----|----|
| 27791-10-1112112 | 24 | M12 | 112 | 12 | 102 | 20 |
| 27791-10-1116112 | 24 | M16 | 112 | 12 | 102 | 20 |
| 27791-10-1120115 | 30 | M20 | 115 | 12 | 102 | 26 |
| 27791-10-1124115 | 35 | M24 | 115 | 12 | 102 | 30 |