

Item description/product images



Fixed bearing
with M6 screws.

Floating bearing with M5 screws.
The profiles can move laterally to
each other.

Description

Material:

Body: die-cast zinc.

Slide elements: plastic POM.

Attachment parts: electro zinc-plated steel.

O-ring: EPDM.

Note:

Metal profile slider with clipped-on plastic slide element. Profile sliders enable low-wear linear movement of type I aluminium profiles with 8 mm slots. The absence of lubrication makes the system extremely insensitive to dirt.

The maximum permissible load for a profile slider is $F_{max.} = 50 \text{ N}$.

Slide guides with several slide carriages must be constructed as a combination of fixed bearing (Form F) and floating bearing (Form L). This compensates for form tolerances and ensures light movement.

Form S: A set for connecting any add-on elements.

Form L: A set to use as a floating bearing.

Form F: A set to use as a fixed bearing.

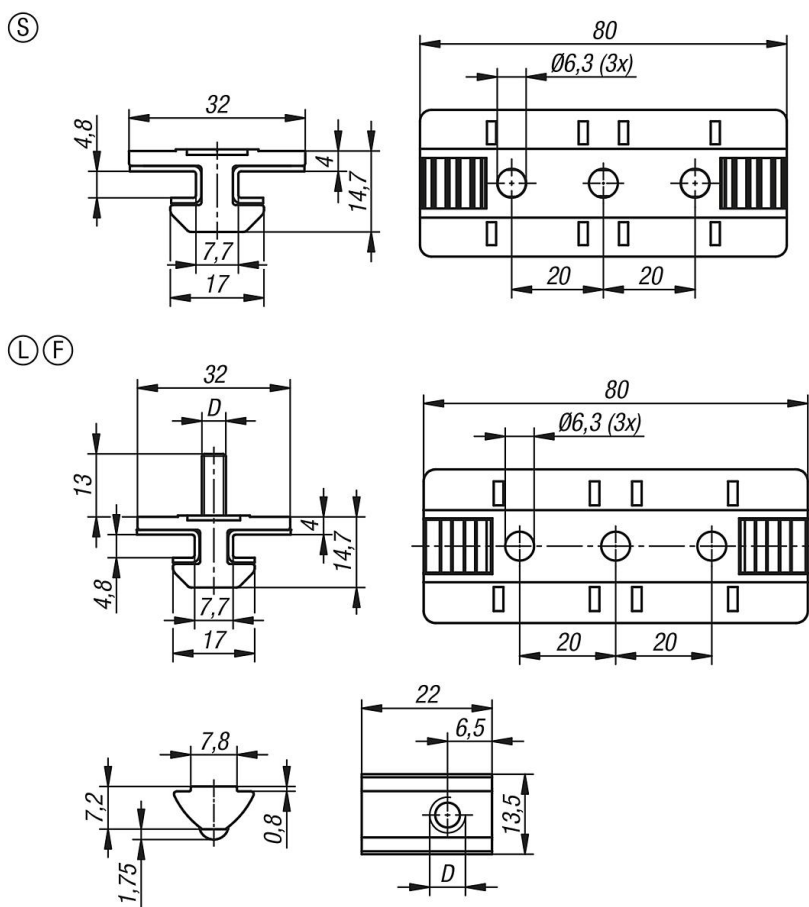
Supplied with:

Style S: Profile slider with slide elements.
2x DIN 439 B M6 hex nuts.

Style L: Profile slider with slide elements.
2x ISO 7380 - M5x25 panhead screws.
2x DIN 3771 - 5x1,5 O-rings.
2x M5 slot keys for 8mm slots.

Style F: Profile slider with slide elements.
2x ISO 7380 M6x25 panhead screws.
2x DIN 3771 5x1,5 O-rings.
2x M6 slot keys for 8 mm slots.

Drawings



Overview of items

Order No.	Form	Form definition	D
10449-1000	S	standard	-
10449-2050	L	floating bearing	M5
10449-3060	F	fixed bearing	M6