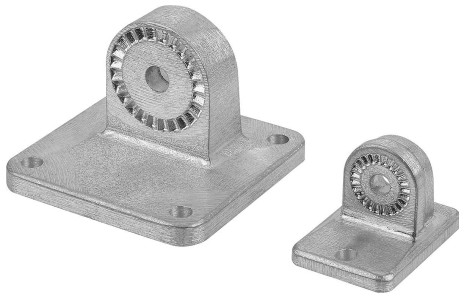


## Item description/product images

**Description****Material:**

Cast aluminium.  
Nut, steel.

**Version:**

Vibratory ground.  
Nut electro zinc-plated.

**Note:**

Swivel half clamps with sunken teeth can be combined with swivel half clamps with raised teeth (29026) to make a complete swivel clamp.

Max. torque when tightening the lockscrew:

M6: 10 Nm.

M8: 25 Nm.

M10: 50 Nm.

**On request:**

Clamping levers for tightening.

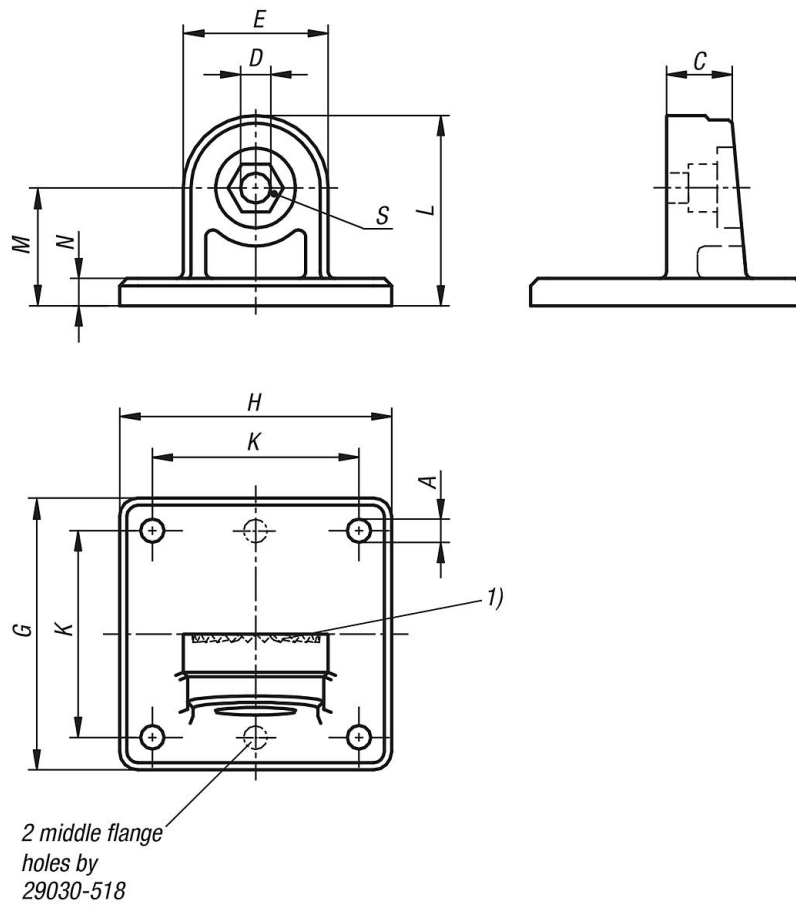
**Accessory:**

- Hex nut DIN 985
- Hex head bolt DIN 933
- Cap screw DIN 6912

**Drawing reference:**

1) 15° toothing

Drawings



Overview of items

Order No.	A	C	D	E	G	H	K	L	M	N	S
29030-518	5,3 (2x)	13	7	25	50	35	38	32,5	20	5	M6
29030-530	6,5 (4x)	16	9	40	75	75	57	52,5	33	7,5	M8
29030-540	8,5 (4x)	22	11	56	100	100	76	72	44	10	M10