

Item description/product images

**Description****Material:**

Locating cylinder and ball stainless steel 1.4542.

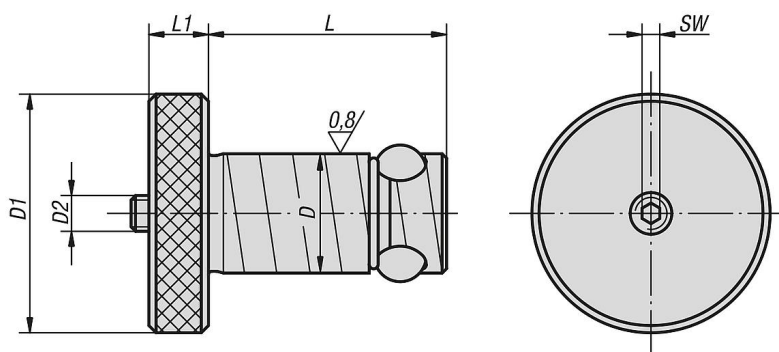
Version:

Locating cylinder and ball hardened to min. 40 HRC, bright.

Note:

By tightening the thrust screw (D2) the centre ball is pressed downwards and in turn forces the three locking balls outwards, where they locked in the receiver bush. With this easy to use system machine set-up times are up to twelve times shorter than when conventional methods are used.

Drawings



Overview of items

Order No.	Grid plate thickness ± 0.13	D	D1	D2	L	L1	SW	Holding force F kN	Tightening torque max. Nm	Order No. Repair Kit
03153-02-13013	13	13	22	M5	27,6	6	2,5	3,3	1,2	03153-02-913013
03153-02-13020	20	13	22	M5	34,6	6	2,5	3,3	1,2	03153-02-913020
03153-02-16020	20	16	32	M6	36,5	8	3	5,3	4,5	03153-02-916020
03153-02-16025	25	16	32	M6	41,5	8	3	5,3	4,5	03153-02-916025
03153-02-20020	20	20	40	M6	39,5	10	3	13,3	5,3	03153-02-920020
03153-02-20025	25	20	40	M6	44,4	10	3	13,3	5,3	03153-02-920025
03153-02-25020	20	25	45	M8	44	10	4	30	11	03153-02-925020
03153-02-25025	25	25	45	M8	49	10	4	30	11	03153-02-925025
03153-02-30020	20	30	50	M10	49	13	5	44	18	03153-02-930020
03153-02-30025	25	30	50	M10	54	13	5	44	18	03153-02-930025
03153-02-35020	20	35	60	M12	51	13	6	68	33	03153-02-935020
03153-02-35025	25	35	60	M12	56	13	6	68	33	03153-02-935025
03153-02-35040	40	35	60	M12	71	13	6	68	33	03153-02-935040
03153-02-35050	50	35	60	M12	81	13	6	68	33	03153-02-935050
03153-02-50020	20	50	75	M20	64	20	10	88	65	03153-02-950020
03153-02-50025	25	50	75	M20	69	20	10	88	65	03153-02-950025
03153-02-50040	40	50	75	M20	84	20	10	88	65	03153-02-950040
03153-02-50050	50	50	75	M20	94	20	10	88	65	03153-02-950050