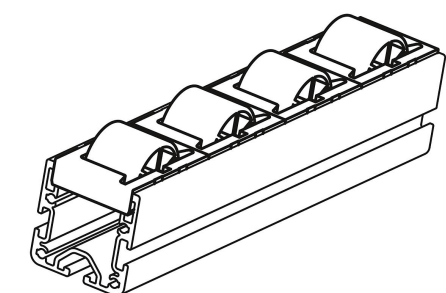
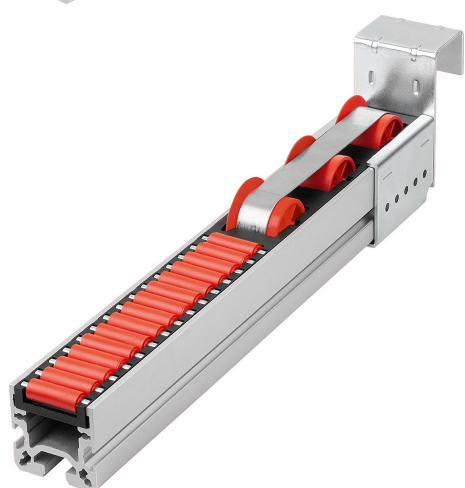


Item description/product images

**Description****Material:**

Roller and cage polyamide, glass-bead reinforced.
Steel axis.

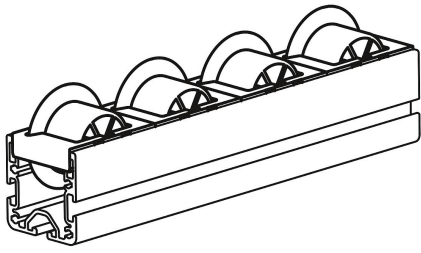
Version:

Cage black.
Roller available in different colours.

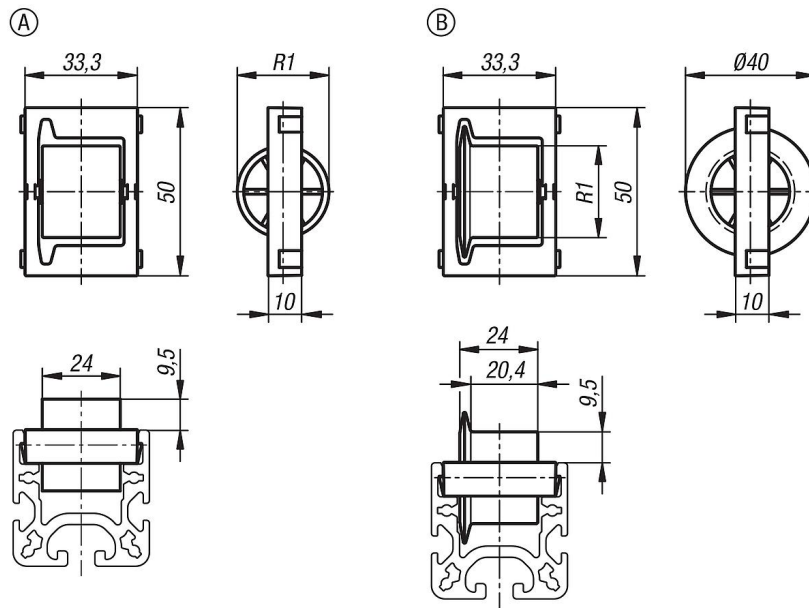
Note:

The roller elements are matched to the aluminium profiles for roller rails and can be mounted on them quickly and easily. No tools required. Suitable for aluminium profiles Type B and I.

Item description/product images



Drawings



Overview of items

Order No.	Form	Version 2	Main colour	R1	Load capacity N
10448-1281	A	without wheel flange	black	28	150
10448-1282	A	without wheel flange	yellow	28	150
10448-1283	A	without wheel flange	red	28	150
10448-1284	A	without wheel flange	green	28	150
10448-1285	A	without wheel flange	grey	28	150
10448-2281	B	with wheel flange	black	28	150
10448-2282	B	with wheel flange	yellow	28	150
10448-2283	B	with wheel flange	red	28	150
10448-2284	B	with wheel flange	green	28	150
10448-2285	B	with wheel flange	grey	28	150