

Item description/product images



Description

Material:
 Polyoxymethylene (POM).
 Nozzle stainless steel.

Version:
 Colour blue/orange.

Note:
 The extremely compact design makes this high-pressure nozzle ideal for use where space is at a premium. When screwed in position, the nozzle can be adjusted using a pin and retains its positional stability. Additional security is not required. It can be rotated 360° and withstands working pressure ranges of up to 70 bar.

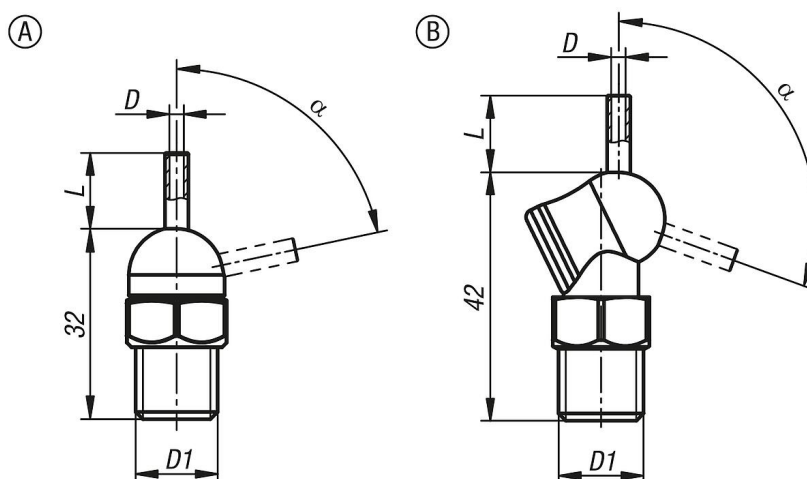
Resistant to: acetone, alcohol, ethyl, grease, oil, commercially available dishwashing detergent, petrol, paint, solvents, sodium hydroxide.

Not resistant to: chlorine, acids, ammonium hydroxide, strong bases, hypochlorite ionic solutions, sodium hypochlorite.

Form A: nozzle pivot range up to 72°
 Form B: nozzle pivot range up to 110° (for applications where the jet is also required below the screw-on level)

Temperature range:
 Maximum temperature range 50 °C.

Drawings



Overview of items

Order No.	Form	D	D1	L	α
96205-11816000	A	1,6	R1/8	-	72°
96205-11816064	A	1,6	R1/8	6,4	72°

Overview of items

Order No.	Form	D	D1	L	α
96205-11816127	A	1,6	R1/8	12,7	72°
96205-11816318	A	1,6	R1/8	31,8	72°
96205-11822000	A	2,2	R1/8	-	72°
96205-11822064	A	2,2	R1/8	6,4	72°
96205-11822127	A	2,2	R1/8	12,7	72°
96205-11822318	A	2,2	R1/8	31,8	72°
96205-11830000	A	3	R1/8	-	72°
96205-11830064	A	3	R1/8	6,4	72°
96205-11830127	A	3	R1/8	12,7	72°
96205-11830318	A	3	R1/8	31,8	72°
96205-11841000	A	4,1	R1/8	-	70°
96205-11841064	A	4,1	R1/8	6,4	70°
96205-11841127	A	4,1	R1/8	12,7	70°
96205-11841318	A	4,1	R1/8	31,8	70°
96205-11416000	A	1,6	R1/4	-	72°
96205-11416064	A	1,6	R1/4	6,4	72°
96205-11416127	A	1,6	R1/4	12,7	72°
96205-11416318	A	1,6	R1/4	31,8	72°
96205-11422000	A	2,2	R1/4	-	72°
96205-11422064	A	2,2	R1/4	6,4	72°
96205-11422127	A	2,2	R1/4	12,7	72°
96205-11422318	A	2,2	R1/4	31,8	72°
96205-11430000	A	3	R1/4	-	72°
96205-11430064	A	3	R1/4	6,4	72°
96205-11430127	A	3	R1/4	12,7	72°
96205-11430318	A	3	R1/4	31,8	72°
96205-11441000	A	4,1	R1/4	-	70°
96205-11441064	A	4,1	R1/4	6,4	70°
96205-11441127	A	4,1	R1/4	12,7	70°
96205-11441318	A	4,1	R1/4	31,8	70°
96205-21816000	B	1,6	R1/8	-	110°
96205-21816064	B	1,6	R1/8	6,4	110°
96205-21816127	B	1,6	R1/8	12,7	110°
96205-21816318	B	1,6	R1/8	31,8	110°
96205-21822000	B	2,2	R1/8	-	110°
96205-21822064	B	2,2	R1/8	6,4	110°
96205-21822127	B	2,2	R1/8	12,7	110°
96205-21822318	B	2,2	R1/8	31,8	110°
96205-21830000	B	3	R1/8	-	110°
96205-21830064	B	3	R1/8	6,4	110°
96205-21830127	B	3	R1/8	12,7	110°
96205-21830318	B	3	R1/8	31,8	110°
96205-21841000	B	4,1	R1/8	-	102°
96205-21841064	B	4,1	R1/8	6,4	102°
96205-21841127	B	4,1	R1/8	12,7	102°
96205-21841318	B	4,1	R1/8	31,8	102°
96205-21416000	B	1,6	R1/4	-	110°
96205-21416064	B	1,6	R1/4	6,4	110°
96205-21416127	B	1,6	R1/4	12,7	110°
96205-21416318	B	1,6	R1/4	31,8	110°
96205-21422000	B	2,2	R1/4	-	110°
96205-21422064	B	2,2	R1/4	6,4	110°
96205-21422127	B	2,2	R1/4	12,7	110°
96205-21422318	B	2,2	R1/4	31,8	110°
96205-21430000	B	3	R1/4	-	110°
96205-21430064	B	3	R1/4	6,4	110°
96205-21430127	B	3	R1/4	12,7	110°
96205-21430318	B	3	R1/4	31,8	110°
96205-21441000	B	4,1	R1/4	-	102°
96205-21441064	B	4,1	R1/4	6,4	102°
96205-21441127	B	4,1	R1/4	12,7	102°
96205-21441318	B	4,1	R1/4	31,8	102°

