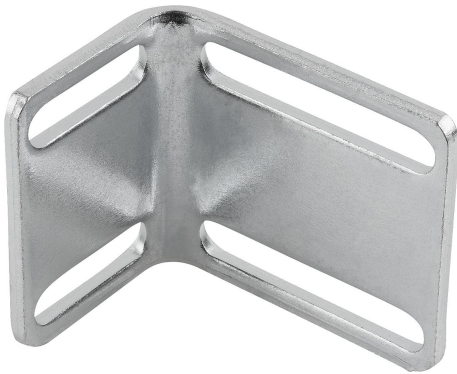


## Item description/product images



## Description

**Material:**

Steel.

**Version:**

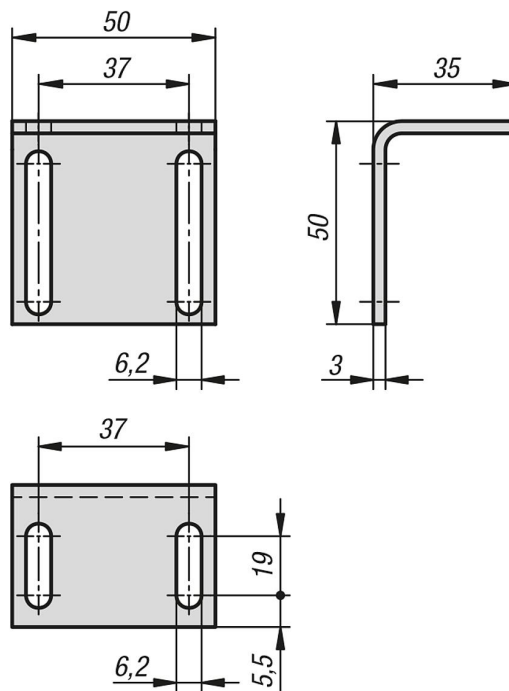
Electro zinc-plated.

**Note:**

These angle brackets enable the ball catch to be flexibly positioned.



## Drawings



## Overview of items

Order No.	Dimensions
03075-10-9503550	see drawing

