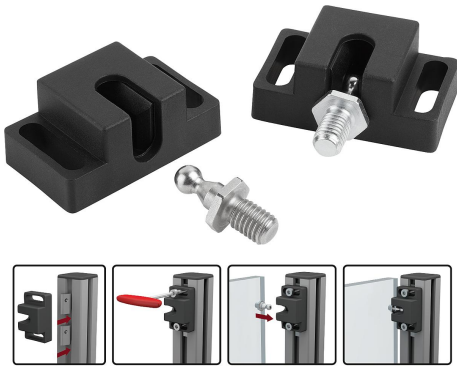


## Item description/product images



## Description

**Material:**

Fibreglass reinforced polyamide.  
Ball pins, steel or stainless steel 1.4301.

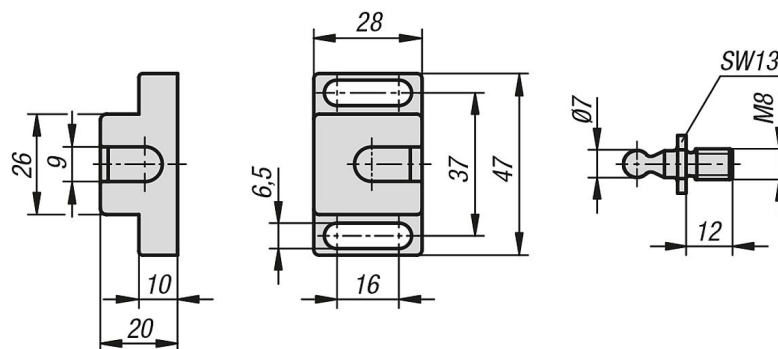
**Version:**

Black.

**Note:**

Quick lock for swing and sliding doors. The elongated holes enable flexible positioning on aluminium profiles and panel elements.

## Drawings



## Overview of items

Order No.	Component material	Main colour	Retaining force F1 N
03075-10-400	steel	black	40
03075-10-401	stainless steel	black	40
03075-10-500	steel	black	50
03075-10-501	stainless steel	black	50