

Item description/product images



Description

Material:

Frame aluminium profile 45x45 type B.
 Bearing flanges aluminium.
 Screws steel.
 Belt support stainless steel 1.4301.
 Deflector rollers aluminium.
 Belt support plate 2 mm VA plate.
 Axles stainless steel.
 Conveyor belt transport side PVC hardness Shore 70A (± 5).

Version:

Frame and bearing flanges anodised.
 Screws electro zinc-plated.

Note:

- internal drive
- 24 V DC electrically commutated, highly durable
- minimum installation space, no protruding edges
- integrated control technology
- widths and lengths in 1 mm increments on request
- flexible mounting options with profile system type B
- motor externally adjustable via control cables
- running side of the conveyor belt fabric polyurethane impregnated (TPU)
- conveyor belt fabric polyester (PET)
- conveyor belt transport side has a smooth surface

Technical data:

- nominal voltage: 24 V
- type power: 30 W
- starting current: 2 A
- motor speed: 5000 rpm
- cable length: 5 m
- conveyor belt thickness: max. 2 mm
- cable outlet: right (standard)

Conveyor belt drive:

- brushless EC motor 24 V, 30 W
- control electronics integrated in conveyor belt
- spur gear transmission
- toothed belt drive underneath conveyor belt

Assembly:

Electrical connections/functions (7-core cable with open ends 5 m):

white: +24 V power supply reverse polarity protected
 brown: -Gnd power supply reverse polarity protected
 Green: Digital input 1
 yellow: Digital input 2
 grey: 0-5V analogue speed control from 12% to 100% nominal speed
 Pink: -Gnd signal (for speed control)
 blue: Reserve

Explanation of digital input 1 and 2:

Item description/product images

Input 1=0 Input 2=0 - Off
 Input 1=1 Input 2=0 - Running direction
 Input 1=0 Input 2=1 - Opposite direction
 Input 1=1 Input 2=1 - Stop (braking)

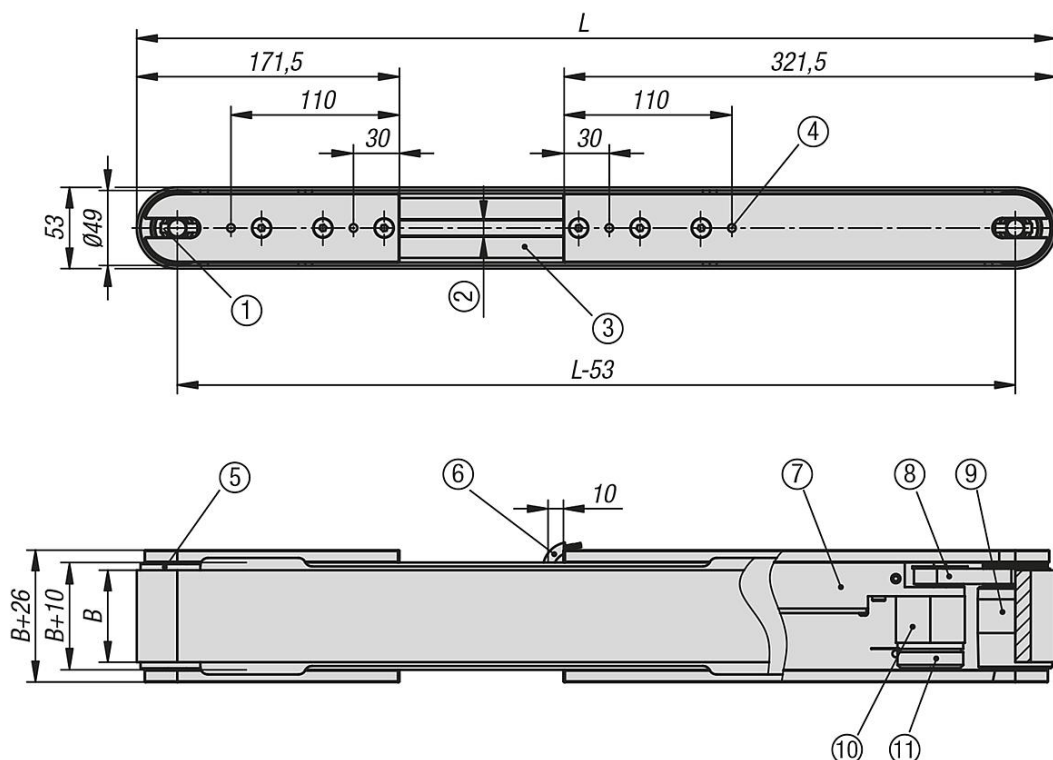
On request:

- belt width B from 60 to 300 mm
- overall length L from 520 to 2000 mm
- other belt materials
- other transmission ratios

Drawing reference:

- 1) Self-locking setscrew (4x)
- 2) Slot width 10
- 3) Aluminium profile 45x45 type B
- 4) M6 (both sides)
- 5) Crowned pulley
- 6) Cable, 7 wire, 5 m
- 7) Motor control housing
- 8) Toothed belt profile T5
- 9) Drive roller, crowned
- 10) Spur gear transmission
- 11) Motor 24 V EC (brushless)

Drawings



Overview of items

Order No.	B	L	Belt speed m/min max.	Transmission ratio	Max. load kg	Belt material transport side
95300-010047060X520	60	520	11,5	1:47	3	smooth PVC, Shore 70A
95300-010047060X750	60	750	11,5	1:47	3	smooth PVC, Shore 70A
95300-010047060X1000	60	1000	11,5	1:47	3	smooth PVC, Shore 70A
95300-010047060X1500	60	1500	11,5	1:47	3	smooth PVC, Shore 70A
95300-010047100X520	100	520	11,5	1:47	3	smooth PVC, Shore 70A
95300-010047100X750	100	750	26	20,6:1	10	smooth PVC, Shore 70A
95300-010047100X1000	100	1000	26	20,6:1	10	smooth PVC, Shore 70A
95300-010047100X1500	100	1500	26	20,6:1	10	smooth PVC, Shore 70A
95300-010047150X520	150	520	26	20,6:1	10	smooth PVC, Shore 70A
95300-010047150X750	150	750	26	20,6:1	10	smooth PVC, Shore 70A
95300-010047150X1000	150	1000	26	20,6:1	10	smooth PVC, Shore 70A
95300-010047150X1500	150	1500	26	20,6:1	10	smooth PVC, Shore 70A
95300-010047200X520	200	520	26	20,6:1	10	smooth PVC, Shore 70A
95300-010047200X750	200	750	26	20,6:1	10	smooth PVC, Shore 70A
95300-010047200X1000	200	1000	26	20,6:1	10	smooth PVC, Shore 70A
95300-010047200X1500	200	1500	26	20,6:1	10	smooth PVC, Shore 70A