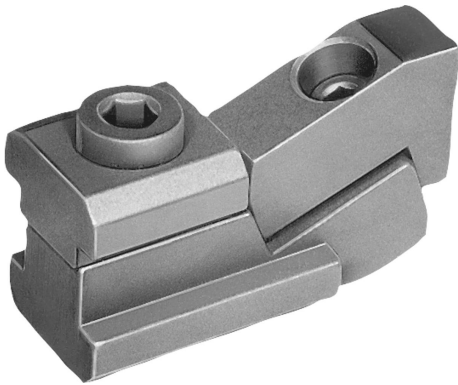


Item description/product images



Description

Material:

Steel.

Version:

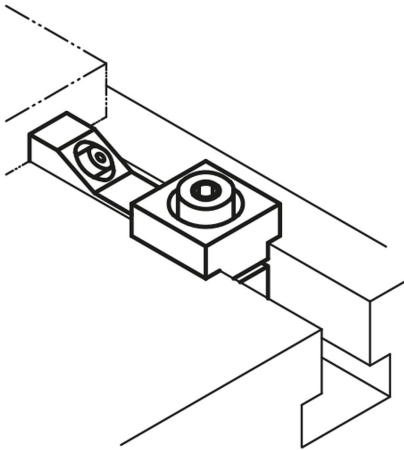
Hardened, black oxidised.

Note:

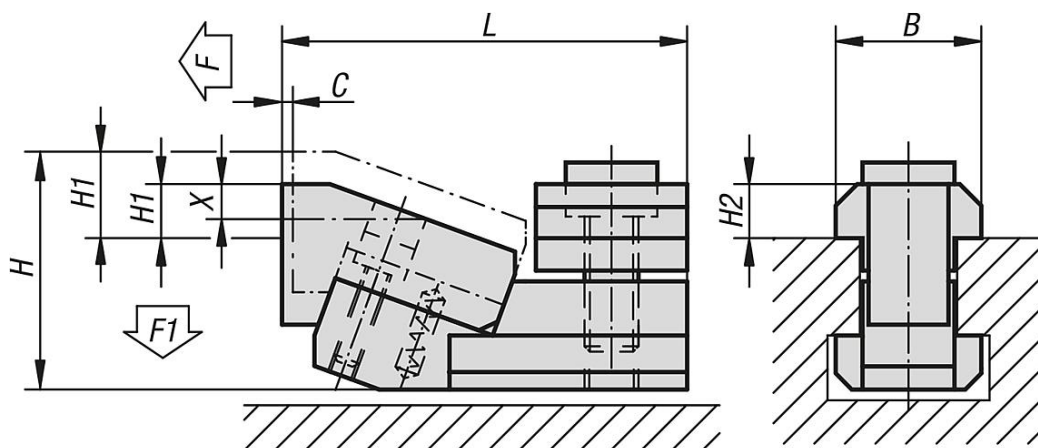
These T-slot clamps are especially useful for clamping low profile workpieces. The wedge operated jaws also provide positive down force.

Dimensions "H1" and "X" depend on the max. T-slot depth acc. to DIN 650.

To achieve the minimal clamping height by the minimal slot depth, the jaw can be ground down by the dimension "X".



Drawings



Overview of items

Order No.	Slot width	C	L	B	H	H1 min.	H1 max.	X	H2	F kN	F1 kN
04470-12	12	1,8	52	18	31	3,5	8,5	5	7	5	0,6

