

19"



Description

Material:

Slides steel.
Ball cages steel.
Balls, steel.

Version:

Slides electro zinc-plated.
Ball cages, electro zinc-plated.
Balls hardened.

Note for ordering:

Sold in pairs.
Fastening material included.

Note:

On telescopic slides with over-extension, the travel is greater than the installed length. Latches in open position. When the release lever is actuated, the drawer can be taken out easily and separated from the guide.
The dynamic load capacity of the telescopic slides indicates the maximum load rating of a vertically mounted slide pair when the entire extension length is used. The load capacities specified refer to the maximum value for 10,000 cycles.

The load capacity is ca. 75% lower by horizontal mounting.

The head height of the fastening screws should not exceed 2.5 mm otherwise there is a risk of collision with other parts of the slide.

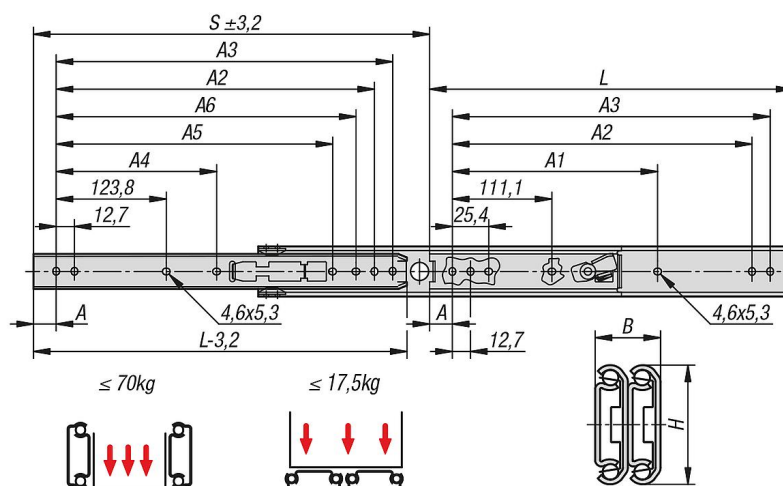
Temperature range:

-20°C to +110°C.

Advantages:

Latches in open position
Quick frontal release

Drawings



21334-75 Telescopic slides, steel for side mounting, over-extension, load capacity up to 70 kg



Overview of items

Order No.	Manufacturers article number	Assembly	Product type	Loading per pair kg	Packaging type
21334-75-0305	DZ0305-0012	side mounting	standard	70	1 piece = 1 pair
21334-75-0356	DZ0305-0014	side mounting	standard	68	1 piece = 1 pair
21334-75-0406	DZ0305-0016	side mounting	standard	65	1 piece = 1 pair
21334-75-0457	DZ0305-0018	side mounting	standard	62	1 piece = 1 pair
21334-75-0508	DZ0305-0020	side mounting	standard	57	1 piece = 1 pair
21334-75-0559	DZ0305-0022	side mounting	standard	52	1 piece = 1 pair
21334-75-0610	DZ0305-0024	side mounting	standard	46	1 piece = 1 pair
21334-75-0660	DZ0305-0026	side mounting	standard	41	1 piece = 1 pair
21334-75-0711	DZ0305-0028	side mounting	standard	36	1 piece = 1 pair

Order No.	A	A1	A2	A3	A4	A5	A6	B	H	Travel S	L
21334-75-0305	15,9	-	260,3	273	-	-	-	19,1	35,3	327	305
21334-75-0356	15,9	-	311,1	323,8	-	-	298,4	19,1	35,3	378	356
21334-75-0406	15,9	250,8	361,9	374,6	-	-	349,2	19,1	35,3	429	406
21334-75-0457	15,9	301,6	412,7	425,4	212,7	-	400	19,1	35,3	479,5	457
21334-75-0508	15,9	352,4	463,5	476,2	238,1	365,2	450,8	19,1	35,3	530,5	508
21334-75-0559	15,9	403,2	514,3	527	263,5	415,9	501,6	19,1	35,3	581	559
21334-75-0610	15,9	454	565,1	577,8	288,9	466,7	552,4	19,1	35,3	632	610
21334-75-0660	15,9	504,8	615,9	628,6	314,3	517,7	603,2	19,1	35,3	683	660
21334-75-0711	15,9	555,6	666,7	679,4	339,7	568,3	654	19,1	35,3	733,5	711